



ST TST

The complete range of sliding doors combined in one system

The ES 200 operator technology sets new trends

With ES 200 Easy, ES 200 and ES 200-2D, the ES 200 operator system offers a versatile range of operators for all conditions. Sliding doors in combination with the ES 200 Easy handle all sliding door versions with a door-panel weight of 2 x 100 kg. Doors equipped with the ES 200 operator system can deal with door-panel weights of 2 x 160 kg and the escape route version of the ES 200-2D has the approval for door-panel weights of 2 x 130 kg. Passage widths of up to 3000 mm can easily be realised with all versions of the ES 200 operator system.

Economic efficiency is our priority

Thanks to a large variety of standard dimensions, dormakaba automatic sliding door operators and telescopic sliding door operators are especially economical applications. All door systems may be projected and manufactured in oversize and delivered pre-finished if desired. The professional mounting and commissioning by our qualified dormakaba staff complete our service range.



DIN 18650 and EN 16005

If desired, we offer our doors with DIN 18650 and EN 16005 compliant safety components (sensors) as indicated on pages 22/23.

The required safety measures result from the respective risk analysis.

Features and benefits

- Unsurpassed performance scope
- Easily adaptable to your individual requirements
- Emergency exit and escape route doors are equipped with a redundant operator, an additional control unit for safety purposes and a self-monitoring motion detector
- Excellent cost effectiveness and reliability thanks to established components and quality-assured production
- Numerous adjustable parameters
- Various standard connection facilities
- Obstacle self-detection and automatic reversing
- Delivery of "ready for installation" systems, mounting and commissioning if desired
- Manufactured according to the latest state of technology and compliant with all regulations
- Optional: individual burglary control

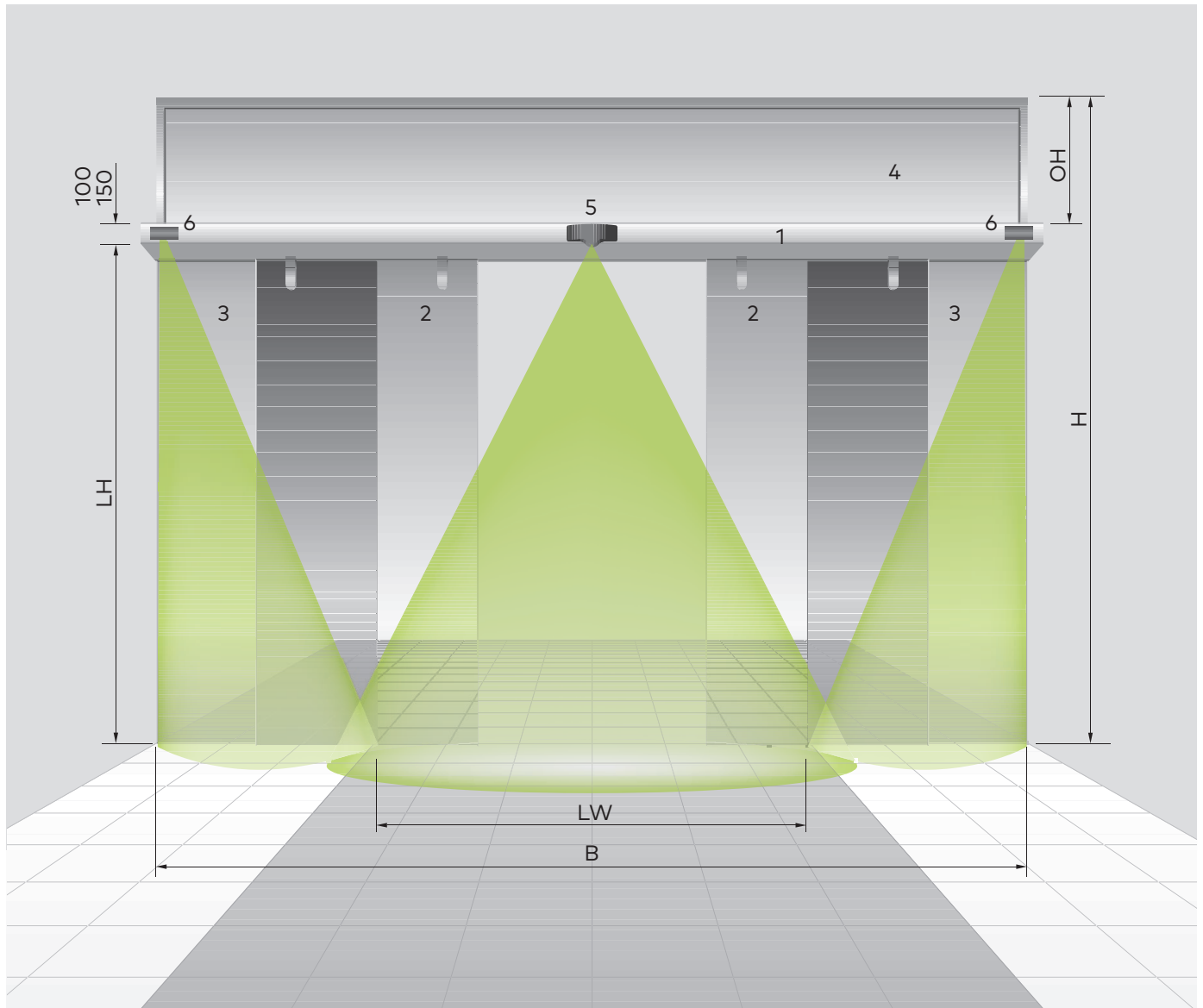
Additional features and benefits of the ES 200-2D operator

- Double-safe DualDrive operator technology (redundant design)
- Integrated rechargeable battery pack
- Emergency opening following power failure
- Integrated mechanical manual lock release (optional)

Content

General information		2-5
Sliding doors	Operator data	6-7
	ST FLEX, FST FLEX with FLEX fine-frame profiles	8-9
	ST FLEX GREEN, FST FLEX GREEN energy efficiency in elegant design	10-11
	ST MANET, FST MANET with MANET single-point fixings for full-glass doors	12-13
	ST PURE, FST PURE with PURE single-point fixings for full-glass systems	14-15
	TST FLEX, FTST FLEX with FLEX fine-frame profiles	16-17
Telescopic sliding doors	Determination of door panel size	18-19
	Accessories	20-23

Sliding door components



- 1** Unsupported header with track rail, drive unit and control unit
- 2** Sliding door panel
- 3** Stationary side screens (these screens are not required for installation between extending wall faces or similar)

- 4** Fanlight or solid cover
- 5** Activator (e. g. motion detector) including safety sensors to monitor the passage area
- 6** DIN 18650 and EN 16005, sensors to monitor secondary closing edges

- LW** Clear passage width
- LH** Clear passage height
- B** System width
- OH** Height of fanlight
- H** System height

Door panel systems

Thanks to the lately developed door panel systems, dormakaba automatic sliding doors and telescopic sliding doors provide all applications for the individual design of your entrance area.

No matter if you prefer an elegant full-glass application with a compact operator and MANET single-point fixings or a rather functional and robust frame structure, the ES 200 door system is the suitable application for your entrance. ST ES 200, FST ES 200, TST ES 200 and FTST ES 200 systems not only meet all requirements, they also create new standards when it comes to functional range, motion paths, design, stability and heat insulation.

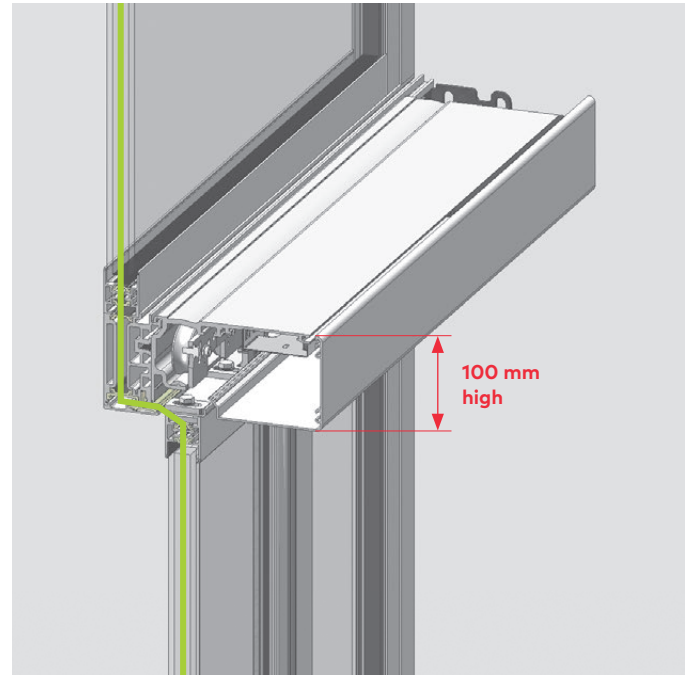
Profile systems

ST FLEX



The elegant solution for all passage areas. This slender profile system provides visual openness and stability in various configurations.

ST FLEX Green



The ST FLEX Green considerably reduces running energy and heating expenses and cuts CO₂-emission. Despite their thermal insulation, the profiles almost look like standard ST FLEX systems – so that they harmonise perfectly with the façade's overall design.

Frameless solutions

ST MANET



Automatic sliding door with full glass panels and stainless steel single-point fixings (without any frames). The ST MANET combines single-point fixings in high-end design with full glass door panels and provides the interior of a building with bright and barrier-free entrance solutions.

ST PURE



Automatic sliding door with full glass panels (no frames). Supported solely by slender brackets rather than door profiles, the ST PURE is a true full-glass system. Thanks to its high level of transparency, the system is especially suitable for interior doors.

Our commitment to a sustainable future

We are committed to sustainable development as one of our business maxims. dormakaba's aim is to ensure energy-saving and resource-conserving production, a high recycling ratio and the longevity of our quality products. Environmental Product Declarations (EPD), based on a holistic life cycle assessment, are used for the calculation of the sustainability of buildings.

EPD certificates are on www.dormakaba.com available.



Operator data ES 200 Easy, ES 200, ES 200-2D, ES 200 T Easy, ES T 200, ES 200 T-2D

Door parameters		ES 200 Easy	ES 200	ES 200-2D
Single-panel sliding door ¹⁾	- Clear passage width (LW) ²⁾ - Max. door-panel weight	700 – 3000 mm 1 x 120 kg	700 – 3000 mm 1 x 200 kg	900 – 1800 mm 1 x 150 kg
Double-panel sliding door	- Clear passage width (LW) ²⁾ - Max. door-panel weight	800 – 3000 mm 2 x 100 kg	800 – 3000 mm 2 x 160 kg	1000 – 3000 mm 2 x 130 kg
Clear passage height ²⁾		2100 – 3000 mm	2100 – 3000 mm	2100 – 3000 mm


Door parameters		ES 200 T Easy	ES T 200	ES 200 T-2D
Double-panel sliding door, opening to one side	- Clear passage width (LW) ²⁾ - Max. door-panel weight	800 – 2400 mm 2 x 50 kg	800 – 2400 mm 2 x 75 kg	1000 – 2400 mm 2 x 75 kg
4-panel sliding door, opening to both sides	- Clear passage width (LW) ²⁾ - Max. door-panel weight	1400 – 4000 mm 4 x 43 kg	1400 – 4000 mm 4 x 75 kg	1400 – 4000 mm 4 x 65 kg
Clear passage height*		2100 – 3000 mm	2100 – 3000 mm	2100 – 3000 mm

¹⁾ Not considering the width of the door post.

²⁾ Other dimensions on request.

Designs		ES 200 Easy ES 200 T Easy	ES 200 ES T 200	ES 200-2D ES 200 T-2D
Profile systems	FLEX fine-frame profile	●	●	●
	ST FLEX Green fine-frame profile	●	●	●
	PURE + MANET single-point fixing max. clear passage width (LW) single-panel version = 1600 mm double-panel version = 2000 mm Not suitable for telescopic doors	●	●	●
Operator height/depth	100 mm x 180 mm	●	●	●
	150 mm x 180 mm	●	●	●
Floor-integrated guide rail		○	○	○
Surface-mounted installation without floor guide rail (consider wind load and burglary control)		●	●	●

Technical specifications

Suitable for application in emergency exits and escape routes	-	-	
Max. opening and closing force 150 N	●	●	●
Opening speed (incremental setting)	10 – 50 cm/s	10 – 75 cm/s	10 – 75 cm/s
Closing speed (incremental setting)	10 – 40 cm/s	10 – 50 cm/s	10 – 50 cm/s
Hold-open time	0.5 – 30 s	0 – 180 s	0 – 180 s
Power supply/frequency	230 V, 50/60 Hz	230 V, 50/60 Hz	230 V, 50/60 Hz
Power consumption	180 W	250 W	250 W
Class of protection	IP 20	IP 20	IP 20
Admissible temperature	-20 – +60 °C	-20 – +60 °C	-20 – +60 °C
Admissible humidity (relative)	max. 93 % (non condensing)	max. 93 % (non condensing)	max. 93 % (non condensing)
Tested according to Low Voltage Directive	●	●	●
Manufactured to ISO 9001	●	●	●
Environmental product declaration in accordance with ISO 14025 Programme holder: Institute Construction and Environment e.V. Declaration number: EPD-DOR-20122221-E	●	●	●

● standard ○ optional - no

Basic Module (BM)	ES 200 Easy ES 200 T Easy	ES 200 ES T 200	ES 200-2D ES 200 T-2D
Modular design	Basic Module (BM)	Basic Module (BM)	Basic Module (BM)
Microprocessor control	●	●	●
Function programs	●	●	●
	– Off		
	– Automatic		
	– Permanent Open		
	– Partial Open		
	– Exit Only		
	– Night-/Bank Function		
Automatic reversing	●	●	●
Connection for electromechanical locking device (bistable)	●	●	●
Connection for safeguarding of passage area (on both sides)	●	●	●
Equipped in accordance with DIN 18650 and EN 16005	●	●	●
Adjustment of all basic parameters via integrated display and keys	●	●	●
Parametrisation via handheld	–	●	●
Emergency opening/closing (only with rechargeable battery pack)	○	○	● (rechargeable battery pack as standard)
Emergency operation via rechargeable battery pack (only with rechargeable battery pack)	○	○	●
Synchronous operation	○	●	●
24 V output for external accessories	●	●	●
Read-out error log with error codes	●	●	●
DCW [®] bus connection (Protocol DORMA Connect and Work)	○	●	●
Function Module (FM) - optional			
Pharmacy Function	○	●	●
Door status contact (3 x)	○	●	●
Safeguarding of main and secondary closing edge/s	–	○	●
Panic closing function (Observe regulations!)	○	●	●
Bell contact	●	●	●
Airlock control	–	●	–
DIN 18650 and EN 16005 function module - optional			
The DIN 18650 and EN 16005 function module provides tested monitoring of the secondary closing edges for compliance with DIN 18650 and EN 16005	–	○	●
Additional equipment			
Electromechanical locking device (bistable)	○	○	○
Manual lock release for electromechanical locking device	○	○	○
Light curtains	○	○	○
Rechargeable battery pack (emergency opening/closing)	○	○	●
dormakaba USV emergency power supply unit (external)	○	○	○
Module for coupling to LON/LAN building control system	○	○	○

● standard ○ optional – no

ST FLEX, FST FLEX with FLEX fine-frame profiles

Features

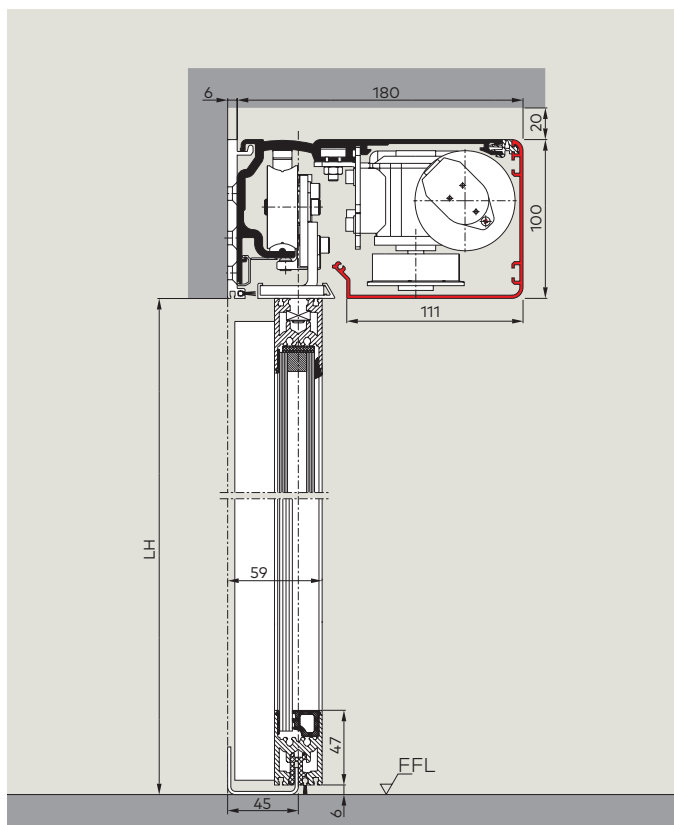
- Attractive glass surfaces thanks to slender frames
- High stability and torsional rigidity
- Low damping behaviour (k-value) of frame due to double-glazing
- Excellent insulation features thanks to interlocking side seals and top and bottom seals

System dimensions and max. door-panel weight

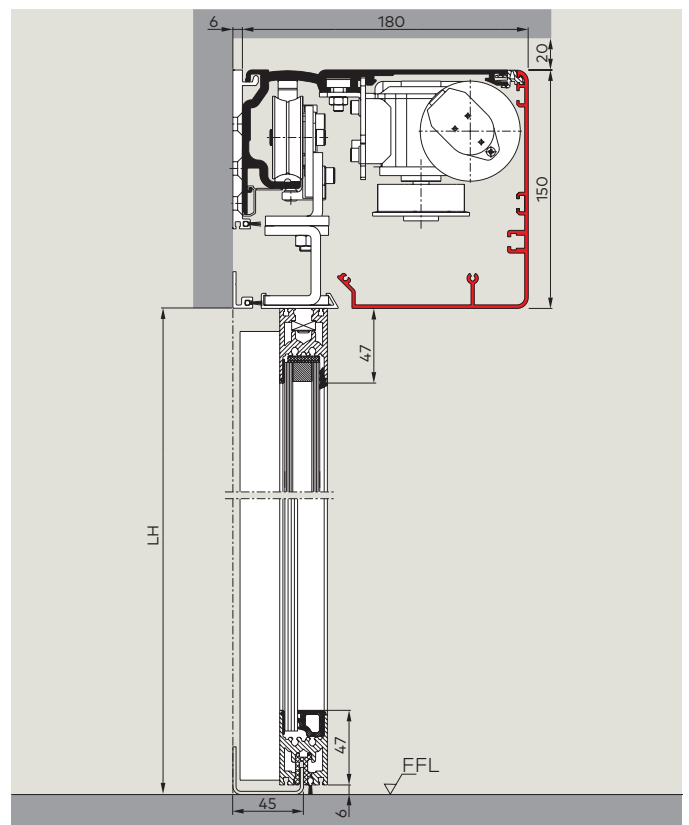
Operator	Single-panel version*		Double-panel version	
	Min. system width (B) =	Max. door-panel weight	Min. system width (B) =	Max. door-panel weight
ES 200 Easy				
without side screens	2 x LW + 50 mm	1 x 120 kg	2 x LW + 100 mm	2 x 85 kg
with side screens	2 x LW + 100 mm		2 x LW + 180 mm	
ES 200				
without side screens	2 x LW + 50 mm	1 x 200 kg	2 x LW + 100 mm	2 x 160 kg
with side screens	2 x LW + 100 mm		2 x LW + 180 mm	
ES 200-2D				
without side screens	2 x LW + 50 mm	1 x 150 kg	2 x LW + 100 mm	2 x 130 kg
with side screens	2 x LW + 100 mm		2 x LW + 180 mm	

* not considering the width of the door post

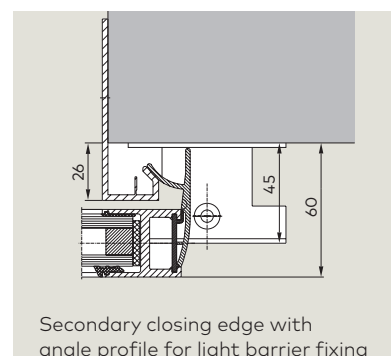
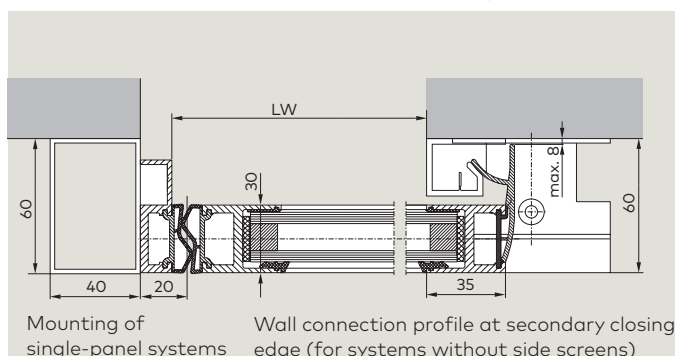
Wall/lintel mounting, operator 100 mm



Wall/lintel mounting, operator 150 mm



Horizontal section of connection profile for door systems that open only to one side



OH	Height of fanlight
LH	Clear passage height
H	System height
B	System width
LW	Clear passage width
FFL	Finished floor level

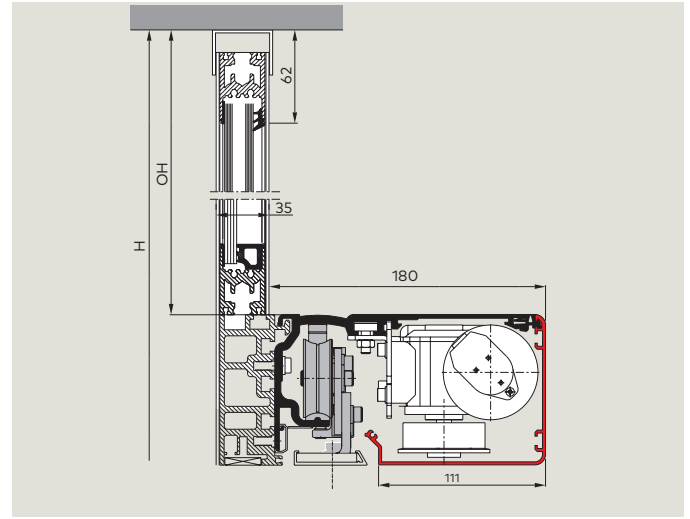
Glass panes

- Toughened safety glass
- Laminated safety glass, 8 mm
- Iso 22 double-glazing (4/14/4)
- Special glazing

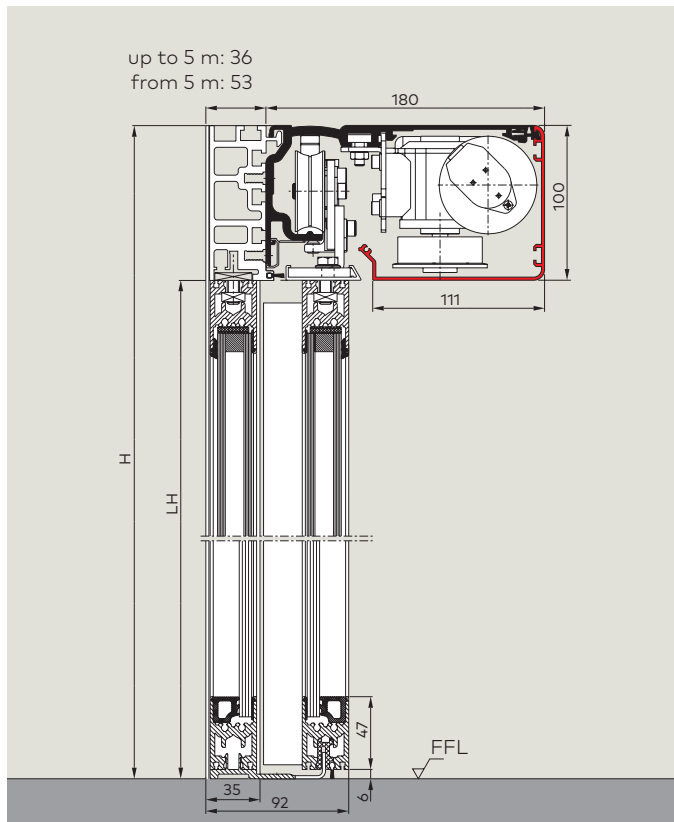
Clear passage height (LH)

Determination of clear passage height LH (mm) depending on the clear passage width LW (mm) and the glazing: see diagrams on pages 18/19

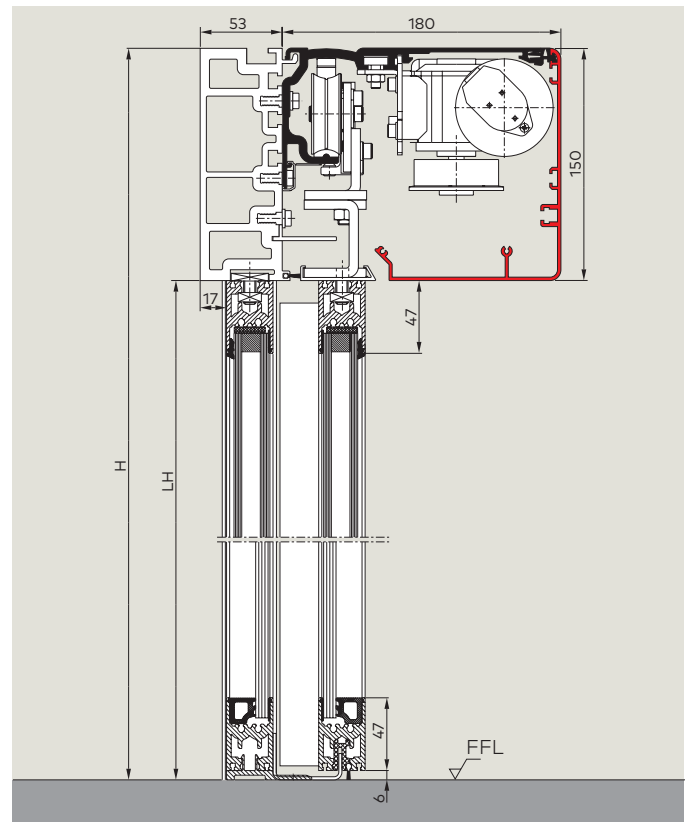
ST-Flex with fanlight



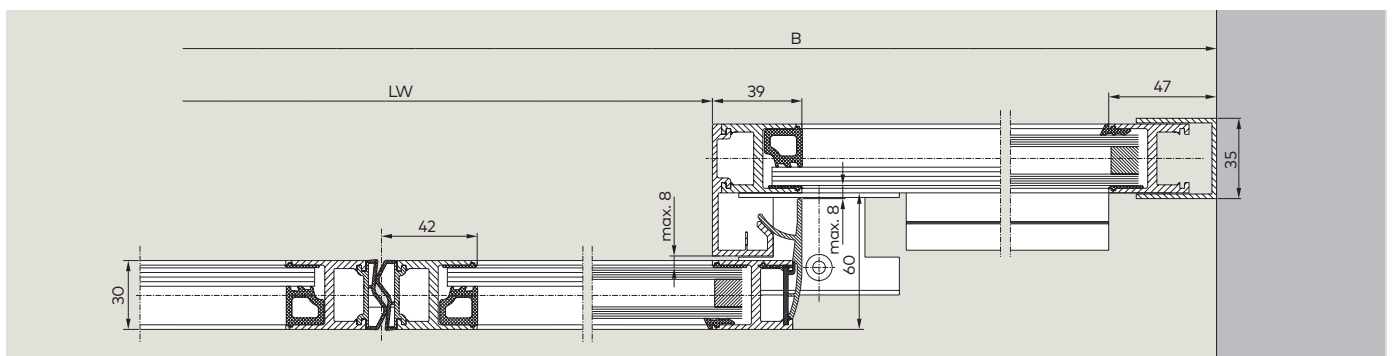
Corridor mounting with side screens, operator 100 mm



Corridor mounting with side screens, operator 150 mm



Horizontal section with side screen



ST FLEX Green, FST FLEX Green – Energy efficiency in elegant design

Features

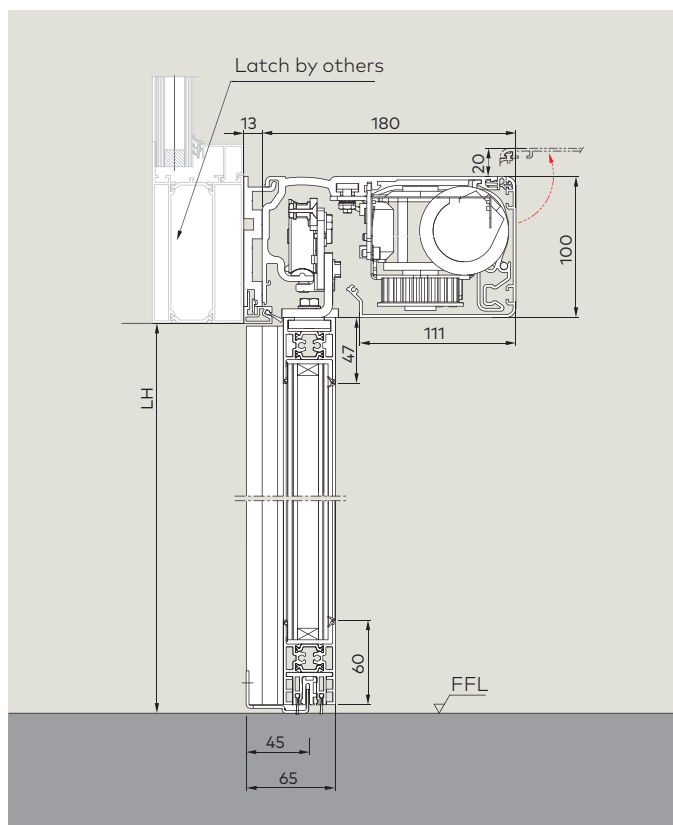
- The slender ST FLEX Green profile system is based on the FLEX profile system and provides thermal insulation in conjunction with excellent energy-saving features.
- Very low U_D -values from 1.4 to max. 1.8 (thermal transmission co-efficient)
- Compliant with the German energy-saving regulation (EnEV 2016)
- Individual U_D -value certificates for each ST FLEX Green door system
- Protection against draughts via circumferential seals
- Elegant fine-frame design
- interior and entrance doors in the same design to harmonize with the building's overall look
- High stability and rigidity
- Tested quality with ift Rosenheim approval
- Glass panes with rugged but elegant frames

System dimensions and max. door-panel weight

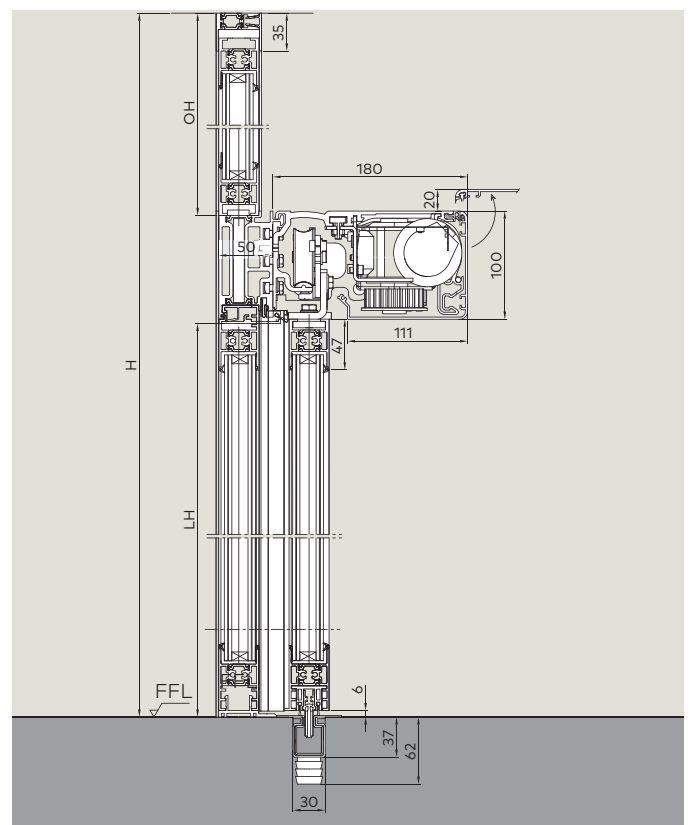
Operator	Single-panel version*		Double-panel version	
	Min. system width (B) =	Max. door-panel weight	Min. system width (B) =	Max. door-panel weight
ES 200 Easy				
without side screens	2 x LW + 60 mm	1 x 120 kg	2 x LW + 120 mm	2 x 85 kg
with side screens	2 x LW + 80 mm			
Passage width LW*	700–3000 mm		800–3000 mm	
ES 200				
without side screens	2 x LW + 60 mm	1 x 200 kg	2 x LW + 120 mm	2 x 160 kg
with side screens	2 x LW + 80 mm			
Passage width LW*	900–1800 mm		900–3000 mm	
ES 200-2D				
without side screens	2 x LW + 60 mm	1 x 150 kg	2 x LW + 120 mm	2 x 130 kg
with side screens	2 x LW + 80 mm			
Passage width LW*	900–1800 mm		900–3000 mm	

* not considering the width of the door post

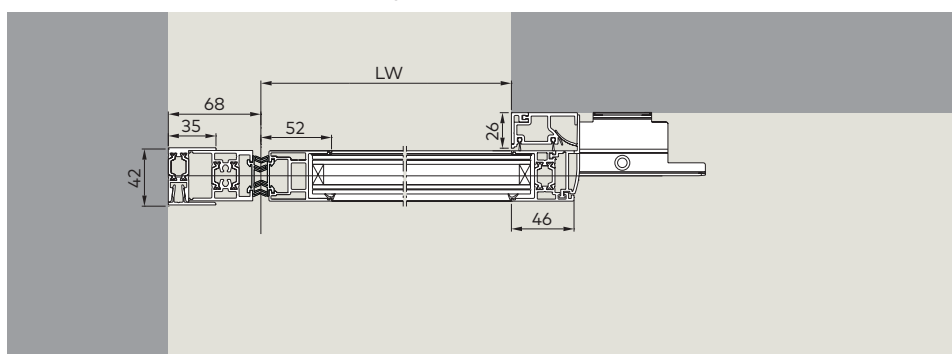
Lintel mounting without side screens



Corridor mounting with side screens and floor rail



Horizontal section of lintel-mounted single-panel version



OH	Height of fanlight
LH	Clear passage height
H	System height
B	System width
LW	Clear passage width
FFL	Finished floor level

Glass panes

- 28 mm two pane ISO glass
- 30 mm three pane ISO glass
- Special glass on request

Additional options

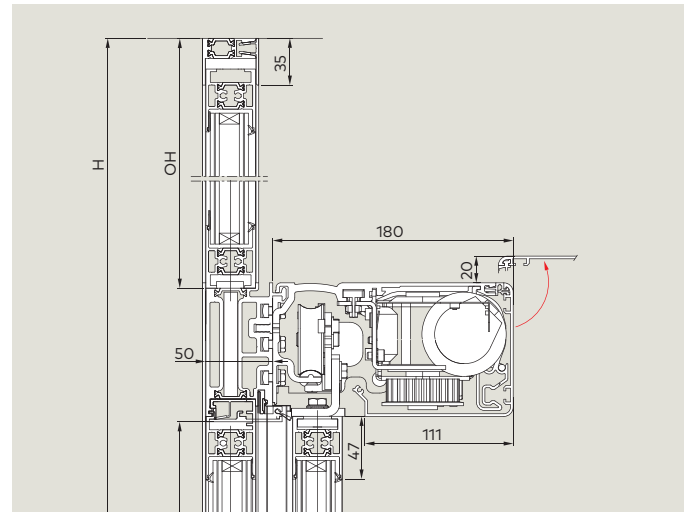
- Safety screens
- Mid rails
- Recessed floor guide
- Manual floor locks

The realizable door dimensions depending on:

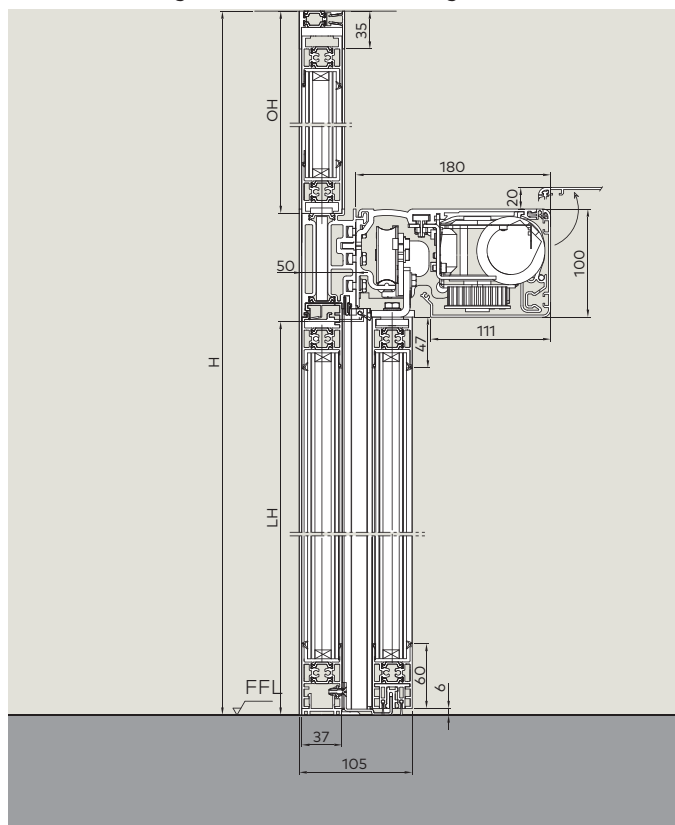
- Glass type
- Leaf weight
- Width-to-height ratio of leaves
- Wind load
- Leaf guidance

Please contact dormakaba sales in any case of needed support.

ST FLEX Green with fanlight



Corridor mounting with side screens and fanlight



Certificate of thermal transmission co-efficient

Nachweis
Wärmedurchgangskoeffizient
Prüfbericht 10-001011-PB09-A01-06-de-01

ifit ROSENHEIM

Auftraggeber DORMA GmbH + Co. KG
DORMA Platz 1
58256 Ennepetal

Produkt automatische Schiebetür, zweiflügelig
Bezeichnung ST FLEX Green
Außenmaß (B x H) 6250 mm x 3305 mm
oben: 147 mm
seitlich: 69 mm
mitte: 50 mm / 104 mm
unten: 66 mm

Ansichtsbreite 50 mm

Material Aluminiumprofil mit thermischer Trennung

Oberfläche pulverbeschichtet, eloxiert
Art: Stege durchgehend
Material: Polyamid 6.6 verstärkt mit 25 % Glasfaser
Einlage: Polyurethan-Hartschaum in den oberen Profilen
Metalloberflächen im Dämmzonenbereich:
leicht oxidierte Oberflächen, z. B. Hohlräume nach Oberflächenbehandlungen im Tauchverfahren

Öffnungsart Parallel verschiebbare Flügelrahmen
Mehrscheiben-Isolierglas:
 U_g -Wert von 1,0 W/(m² · K)
Aufbau: 7VSG / 15 / 7VSG mm
Gasfüllung: Argon 90 %
Beschichtungsebene: Pos 3, $\epsilon_s = 0,01$ (Nennwert)

Füllung Abstandhalter: TGI-Spacer

Besonderheiten -

Wärmedurchgangskoeffizient
 $U_D = 1,4 \text{ W/(m}^2 \cdot \text{K)}$

Grundlagen
EN ISO 10077-1 : 2006
Wärmetechnisches Verhalten von Fenstern, Türen und Abschlüssen - Berechnung des Wärmedurchgangskoeffizienten - Teil 1: Numerisches Verfahren
EN ISO 10077-2 : 2006
Wärmetechnisches Verhalten von Fenstern, Türen und Abschlüssen - Berechnung des Wärmedurchgangskoeffizienten - Teil 2: Numerisches Verfahren für Rahmen
Prüfberichte
10-001011-PB01-K20-06-de-01 vom 21.12.2010 bis
10-001011-PB07-K20-06-de-01 vom 21.12.2010

Darstellung

Verwendungshinweise
Dieser Prüfbericht dient zum Nachweis des Wärmedurchgangskoeffizienten U_D .

Gültigkeit
Die genannten Daten und Ergebnisse beziehen sich ausschließlich auf den geprüften und beschriebenen Gegenstand.
Die Prüfung des Wärmedurchgangskoeffizienten ermöglicht keine Aussage über weitere Leistungs- und qualitätsbestimmende Eigenschaften der vorliegenden Konstruktion.

Veröffentlichungshinweise
Es gilt das Ifit-Merkblatt „Bedingungen und Hinweise zur Benutzung von Ifit-Prüfdokumentationen“.
Das Deckblatt kann zusammen mit der Typenliste als Kurzfassung verwendet werden.

Inhalt
Der Nachweis umfasst insgesamt 12 Seiten
1. Gegenstand
2. Durchführung
3. Einzelergebnisse

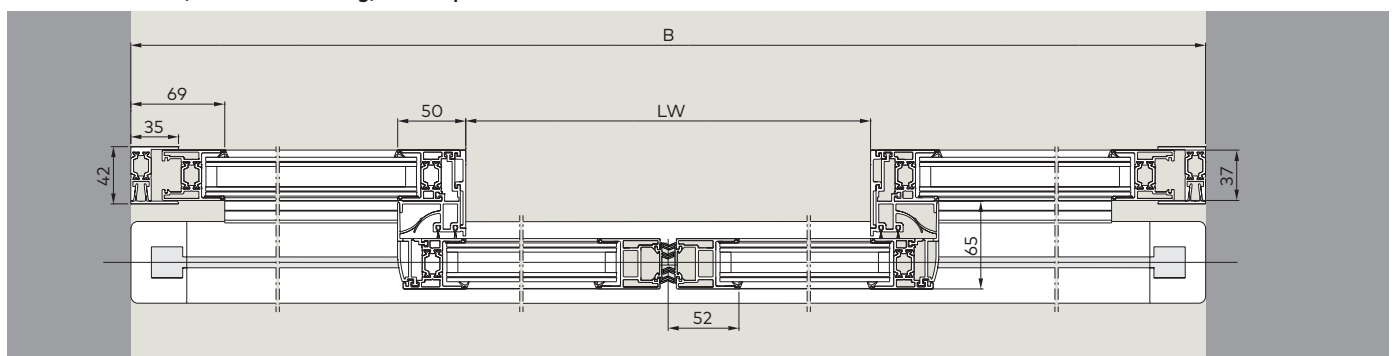
ifit Rosenheim
21. Dezember 2010
Klaus Specht, Dipl.-Ing. (FH)
Stv. Prüfingenieur
Bauphysik

ifit Rosenheim GmbH
Gesellschaft für
Gebäude- und Umwelttechnik
Dr. Jürgen Fuchs
Theodor-Göck-Str. 7, 6
D-83026 Rosenheim
Tel.: +49 (0)89 3201-0
Fax: +49 (0)89 3201-300
www.ifit-rosenheim.de

Stv. B3008 Rosenheim
AG Traunreiter, 4423 14763
Stuttgart Rosenheim
BLZ 711 300 00

Rohtest Body No. 0767
Anwendung: P2, Seite 6 von 16
ifit - Institut für
Gebäude- und Umwelttechnik
www.ifit-rosenheim.de

Horizontal section, corridor mounting, double-panel version with side screens and floor rail



ST MANET, FST MANET with MANET single-point fixings for full-glass doors

Features

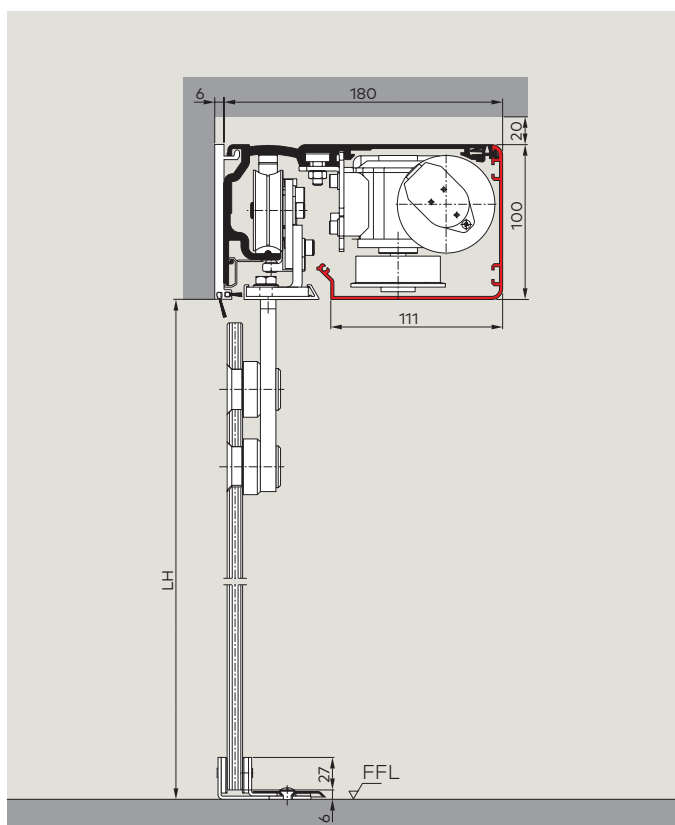
- For interior doors
- Weightless design thanks to unobtrusive stainless steel single-point fixings
- Versatile component range with various fitting options for walls, floors and ceilings, and to link glass elements

System dimensions and max. door-panel weight

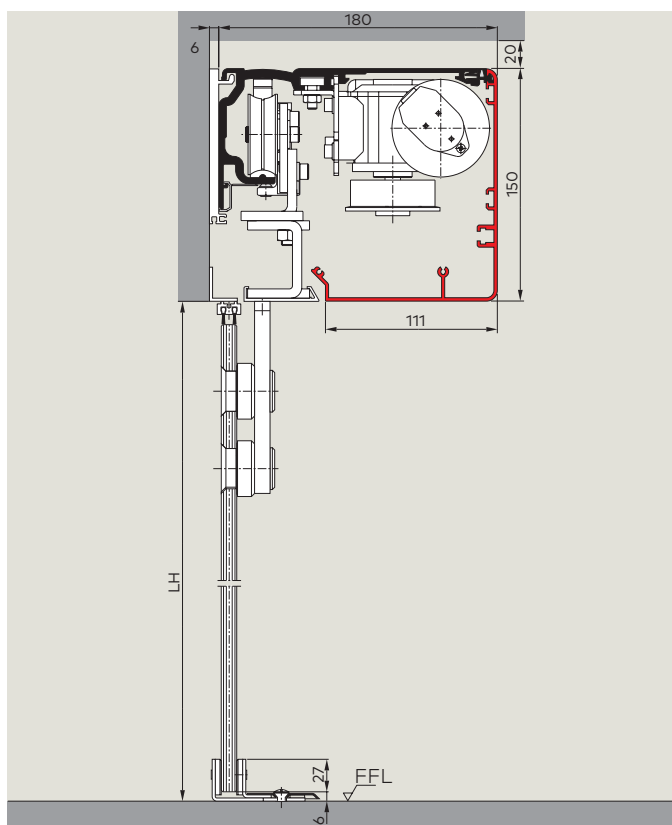
Operator	Single-panel version*		Double-panel version	
	Min. system width (B) =	Max. door-panel weight	Min. system width (B) =	Max. door-panel weight
ES 200 Easy				
without side screens	2 x LW + 70 mm	1 x 100 kg	2 x LW + 140 mm	2 x 85 kg
with side screens	2 x LW + 100 mm		2 x LW + 140 mm	
ES 200				
without side screens	2 x LW + 70 mm	1 x 100 kg	2 x LW + 140 mm	2 x 100 kg
with side screens	2 x LW + 100 mm		2 x LW + 140 mm	
ES 200-2D				
without side screens	2 x LW + 70 mm	1 x 100 kg	2 x LW + 140 mm	2 x 100 kg
with side screens	2 x LW + 100 mm		2 x LW + 140 mm	

* not considering the width of the door post

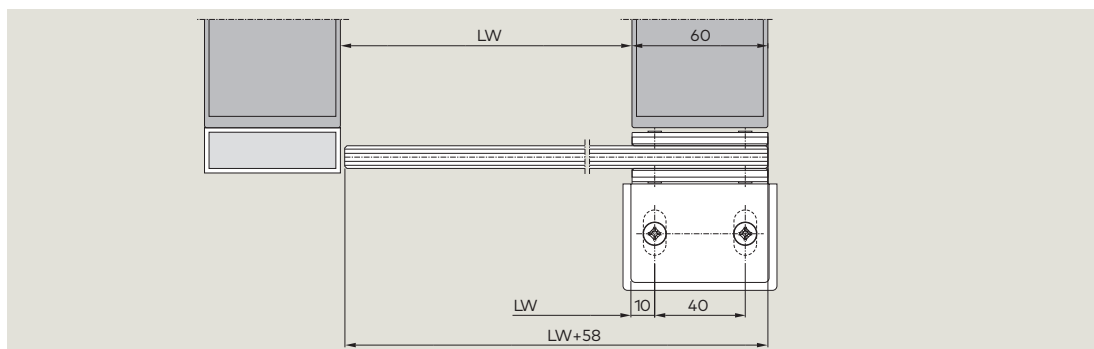
Wall/lintel mounting, operator 100 mm



Wall/lintel mounting, operator 150 mm



Horizontal section of connection profile for door systems that open only to one side



OH	Height of fanlight
LH	Clear passage height
H	System height
B	System width
LW	Clear passage width
FFL	Finished floor level

Glass panes

- Toughened safety glass (TSG) 10 mm
- Special glazing

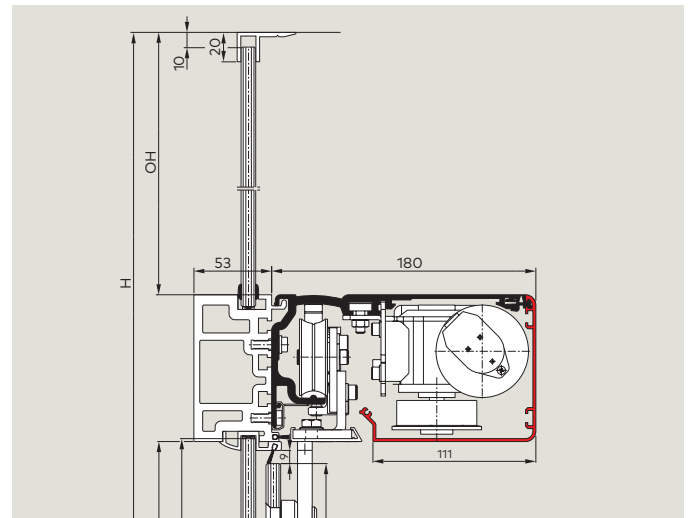
Clear passage height (LH)

Determination of clear passage height LH (mm) depending on the clear passage width LW (mm) and the glazing: see diagrams on pages 18/19

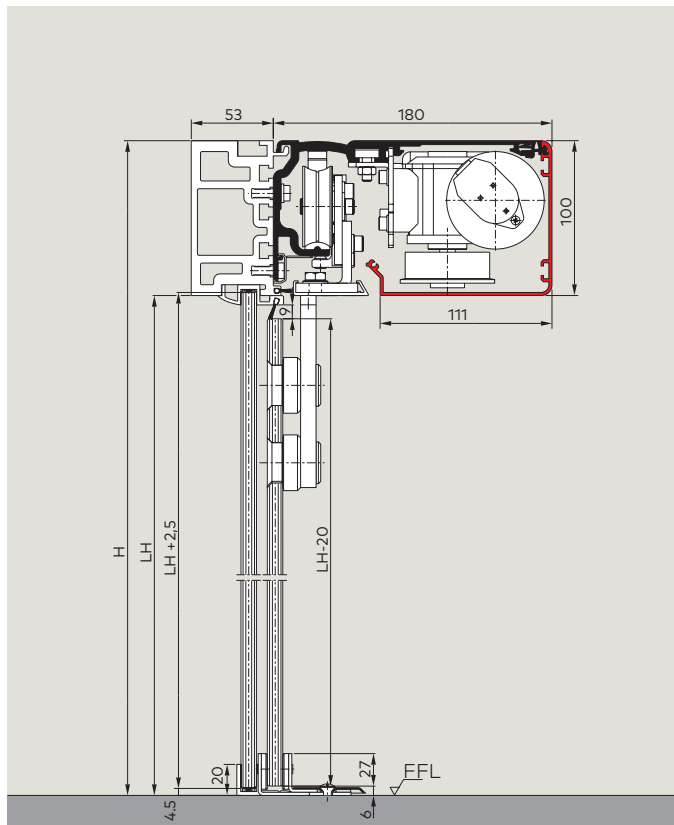
Please consider the limited opening dimensions on application of MANET single-point fixings:

Single-panel version max.	Clear passage width (LW)	1600 mm
	Clear passage height (LH)	2500 mm
Double-panel version max.	Clear passage width (LW)	2000 mm
	Clear passage height (LH)	2500 mm

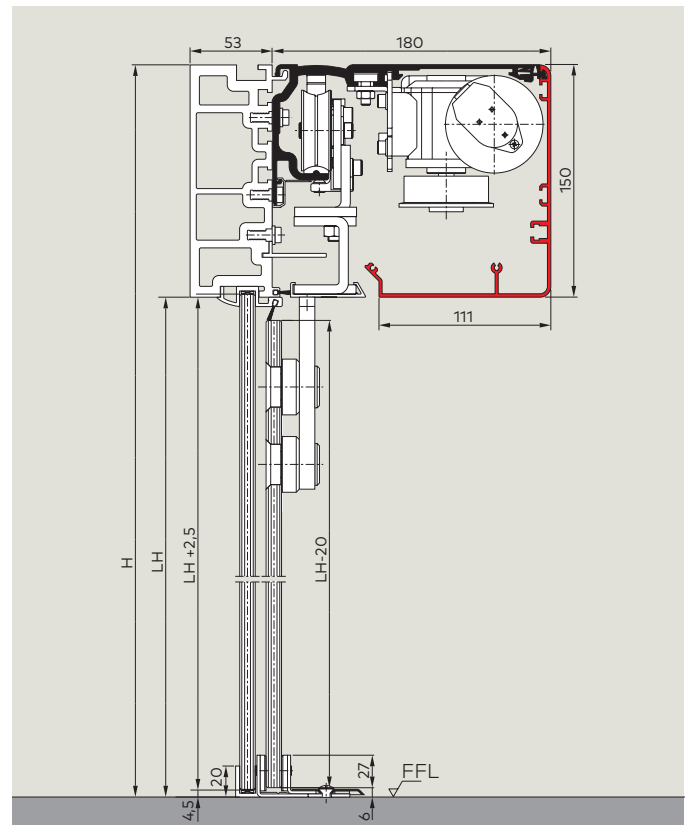
ST MANET with fanlight



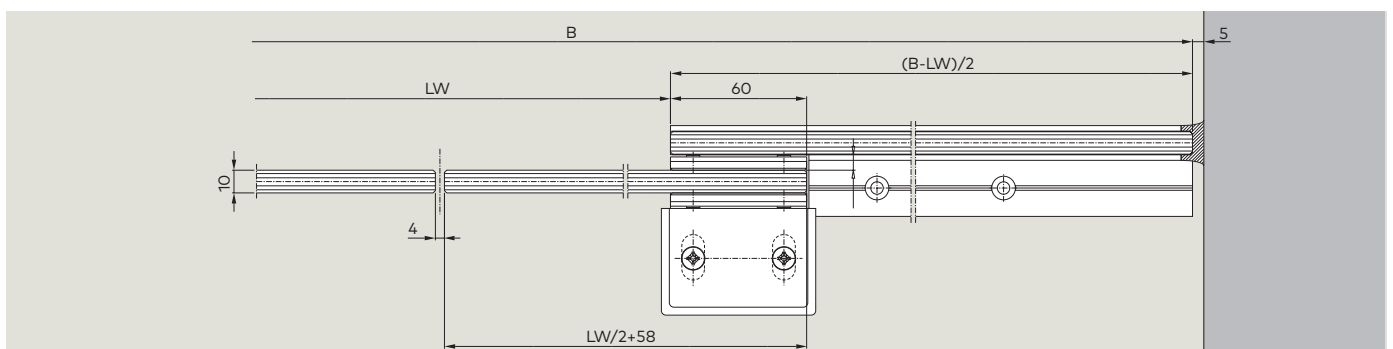
Corridor mounting with side screens, operator 100 mm



Corridor mounting with side screens, operator 150 mm



Horizontal section with side screen



ST PURE, FST PURE with PURE single-point fixings for full-glass systems

Features

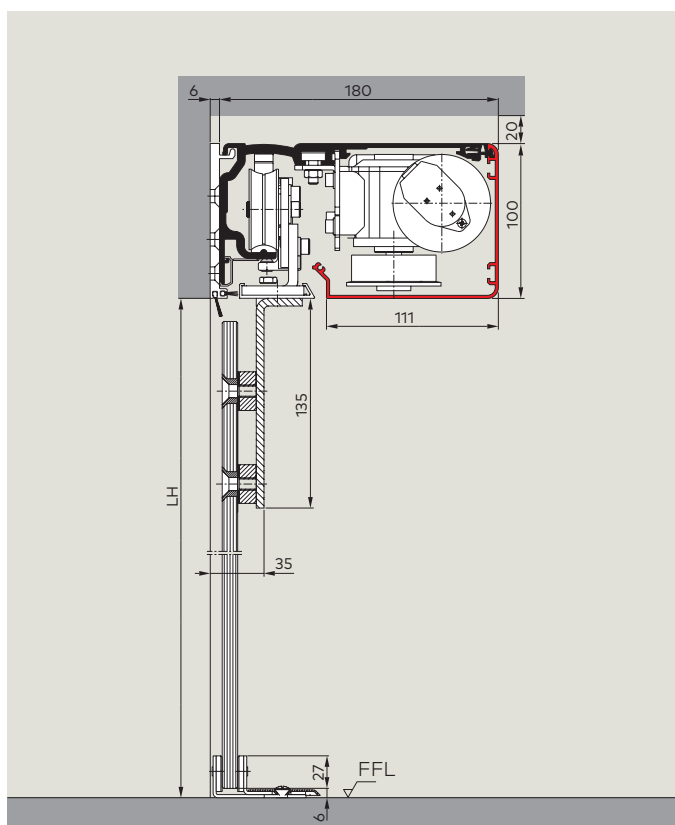
- For interior doors
- Agravic-like design thanks to unobtrusive single-point fixings

System dimensions and max. door-panel weight

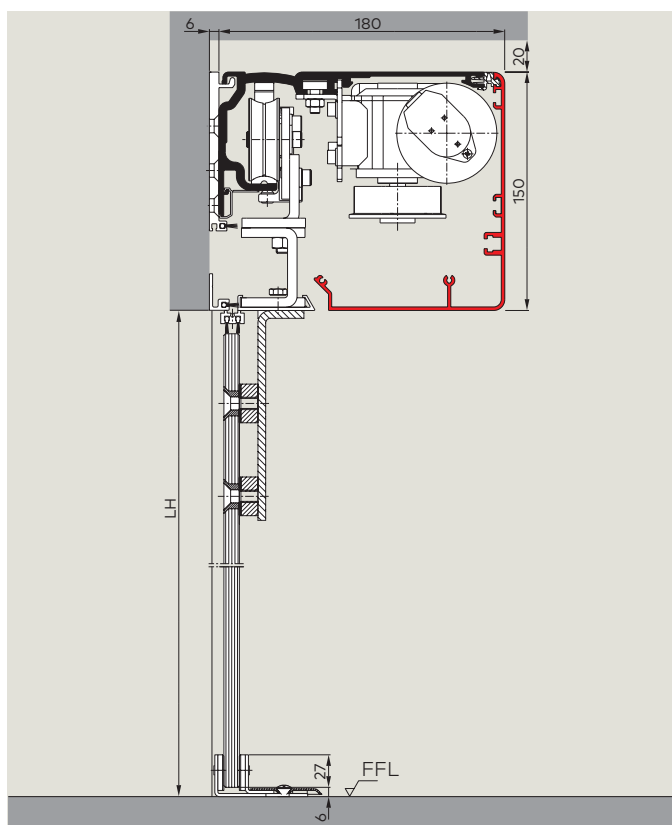
Operator	Single-panel version* (LW max. 1600)		Double-panel version (LW max. 2000)	
	Min. system width (B) =	Max. door-panel weight	Min. system width (B) =	Max. door-panel weight
ES 200 Easy				
without side screens	2 x LW + 70 mm	1 x 100 kg	2 x LW + 140 mm	2 x 85 kg
with side screens	2 x LW + 100 mm		2 x LW + 140 mm	
ES 200				
without side screens	2 x LW + 70 mm	1 x 100 kg	2 x LW + 140 mm	2 x 100 kg
with side screens	2 x LW + 100 mm		2 x LW + 140 mm	
ES 200-2D				
without side screens	2 x LW + 70 mm	1 x 100 kg	2 x LW + 140 mm	2 x 100 kg
with side screens	2 x LW + 100 mm		2 x LW + 140 mm	

* not considering the width of the door post

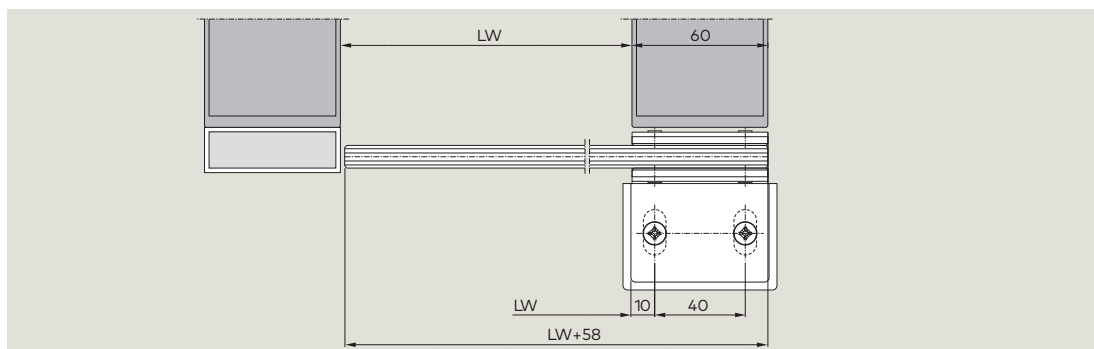
Wall/lintel mounting, operator 100 mm



Wall/lintel mounting, operator 150 mm



Horizontal section of connection profile for door systems that open only to one side



OH	Height of fanlight
LH	Clear passage height
H	System height
B	System width
LW	Clear passage width
FFL	Finished floor level

Glass panes

- Toughened safety glass (TSG) 10 mm
- Special glazing

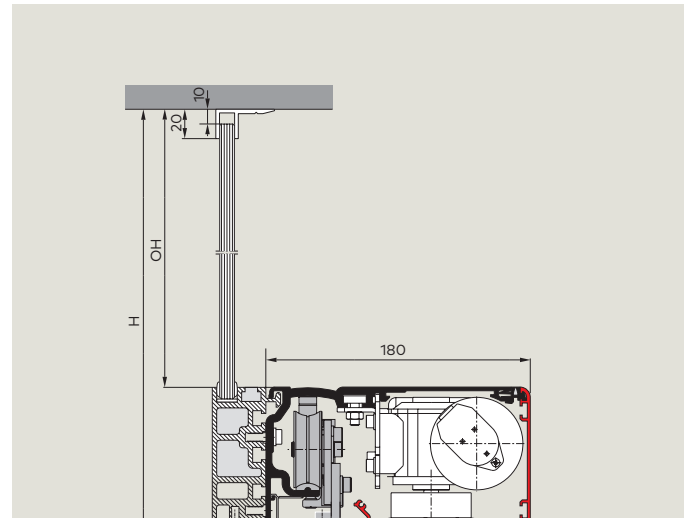
Clear passage height (LH)

Determination of clear passage height LH (mm) depending on the clear passage width LW (mm) and the glazing: see diagrams on pages 18/19

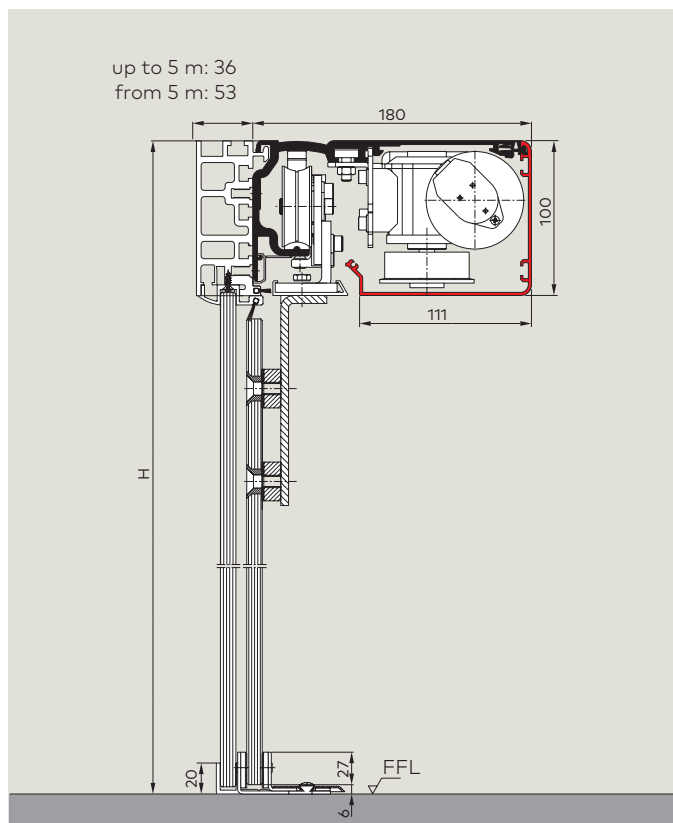
Please consider the limited opening dimensions on application of single-point fixings for full-glass systems:

Single-panel version max.	Clear passage width (LW)	1600 mm
	Clear passage height (LH)	2500 mm
Double-panel version max.	Clear passage width (LW)	2000 mm
	Clear passage height (LH)	2500 mm

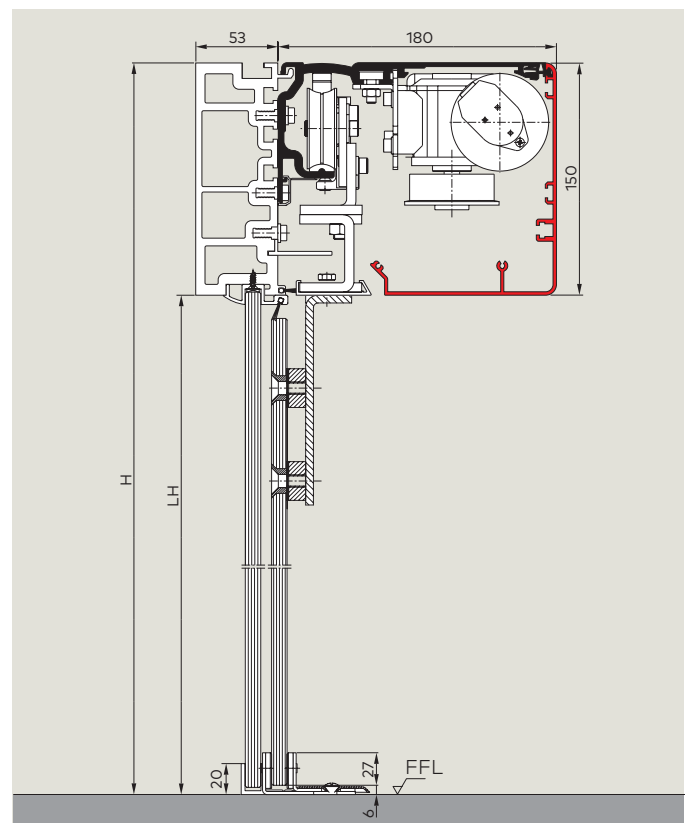
ST full-glass system with fanlight



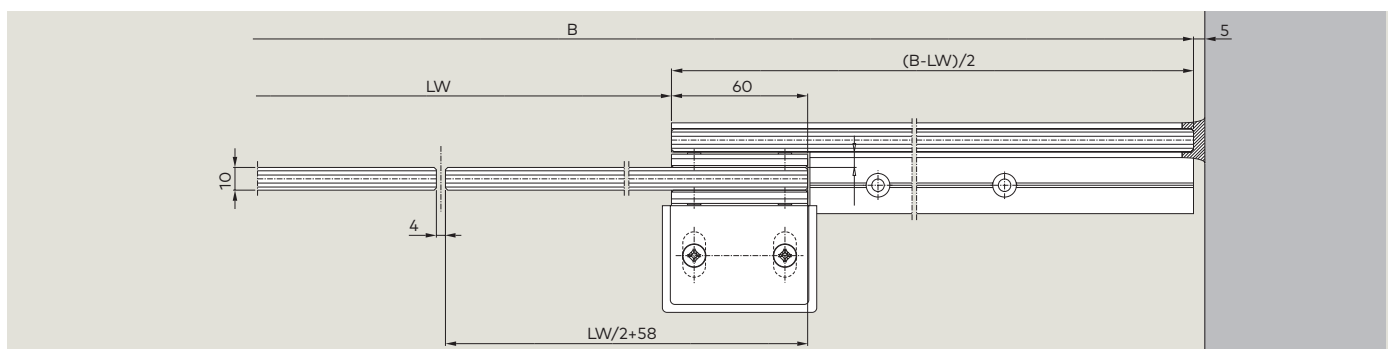
Corridor mounting with side screens, operator 100 mm



Corridor mounting with side screens, operator 150 mm



Horizontal section with side screen



TST FLEX, FTST FLEX with FLEX fine-frame profiles

Features

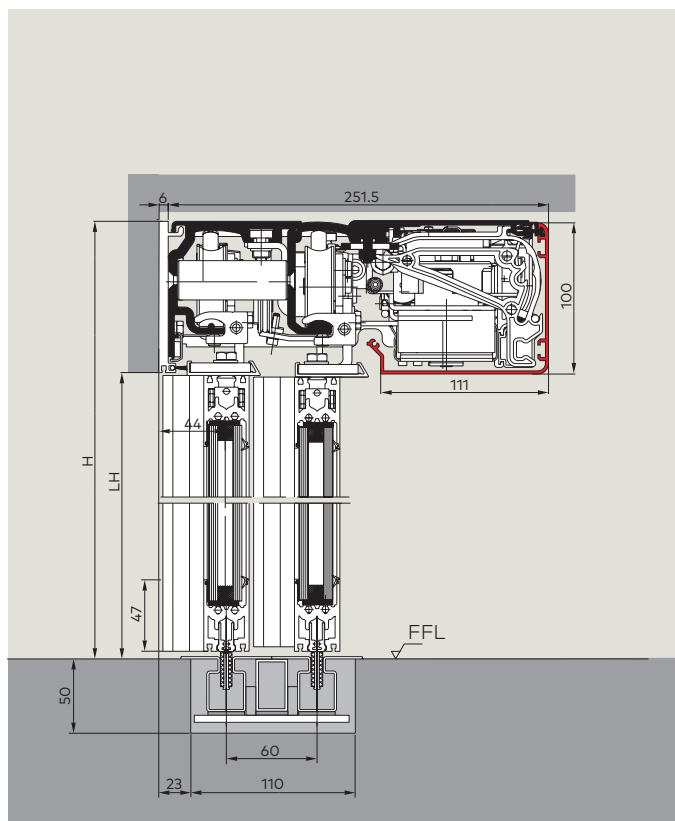
- Attractive glass surfaces thanks to slender frames
- High stability and torsional rigidity
- Low damping behaviour (k-value) of frame due to ISO glazing (double-glazing)
- Excellent insulation features thanks to interlocking side seals and top and bottom seals

System dimensions and max. door-panel weight

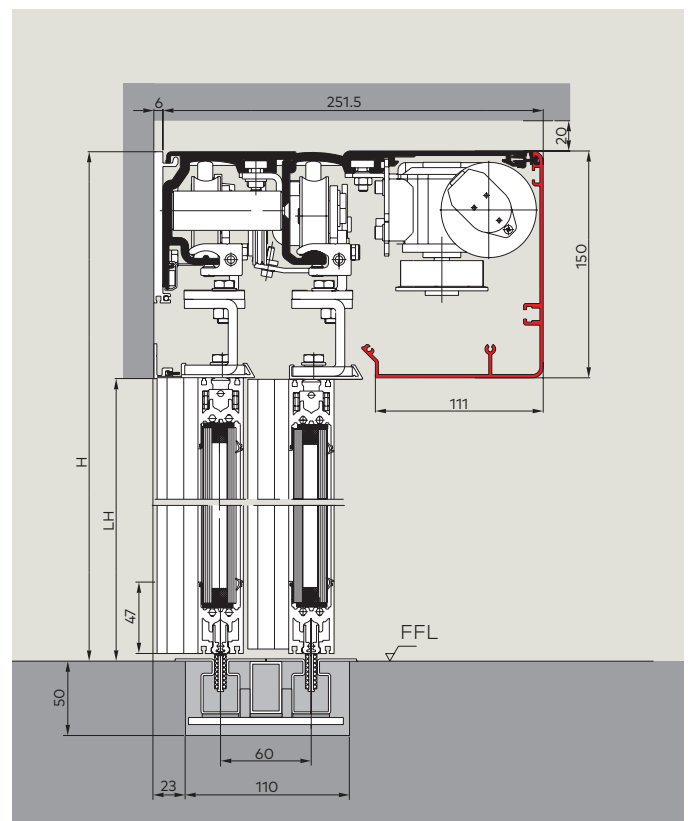
Operator	Opening to one side*		Opening to two sides	
	Min. system width (B) =	Max. door-panel weight	Min. system width (B) =	Max. door-panel weight
ES 200 Easy				
without side screens	1.5 x LW + 100 mm	2 x 50 kg	1.5 x LW + 100 mm	4 x 43 kg
with side screens	1.5 x LW + 100 mm		1.5 x LW + 164 mm	
ES 200				
without side screens	1.5 x LW + 100 mm	2 x 75 kg	1.5 x LW + 100 mm	4 x 75 kg
with side screens	1.5 x LW + 100 mm		1.5 x LW + 164 mm	
ES 200-2D				
without side screens	1.5 x LW + 100 mm	2 x 65 kg	1.5 x LW + 100 mm	4 x 65 kg
with side screens	1.5 x LW + 100 mm		1.5 x LW + 164 mm	

* not considering the width of the door post

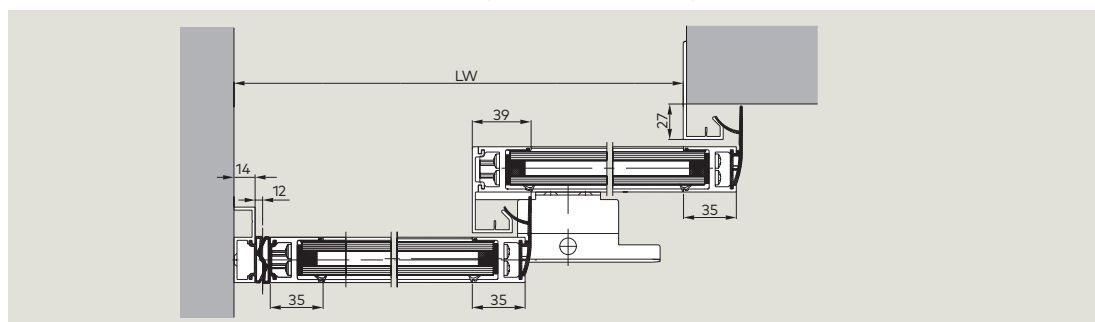
Wall/lintel mounting, operator 100 mm



Wall/lintel mounting, operator 150 mm



Horizontal section of connection profile for door systems that open only to one side



OH	Height of fanlight
LH	Clear passage height
H	System height
B	System width
LW	Clear passage width
FFL	Finished floor level

Escape route version: Please consider the prevailing country-specific regulations.

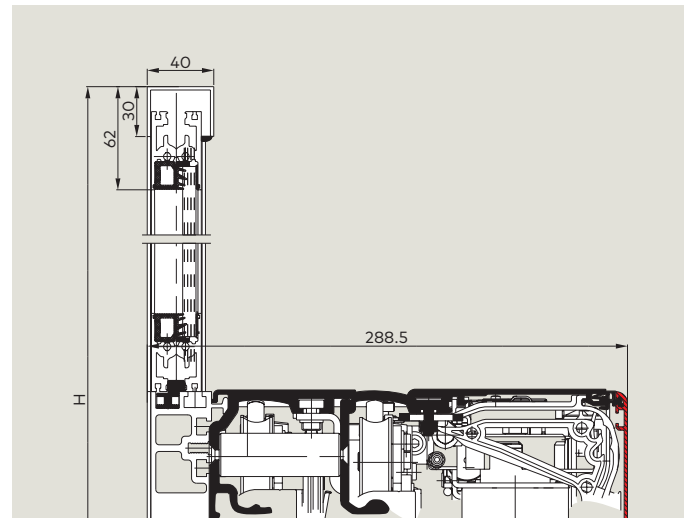
Glass panes

- Iso 22 double-glazing (4/14/4)
- Iso 22 double-glazing (6/10/6)
- Special glazing

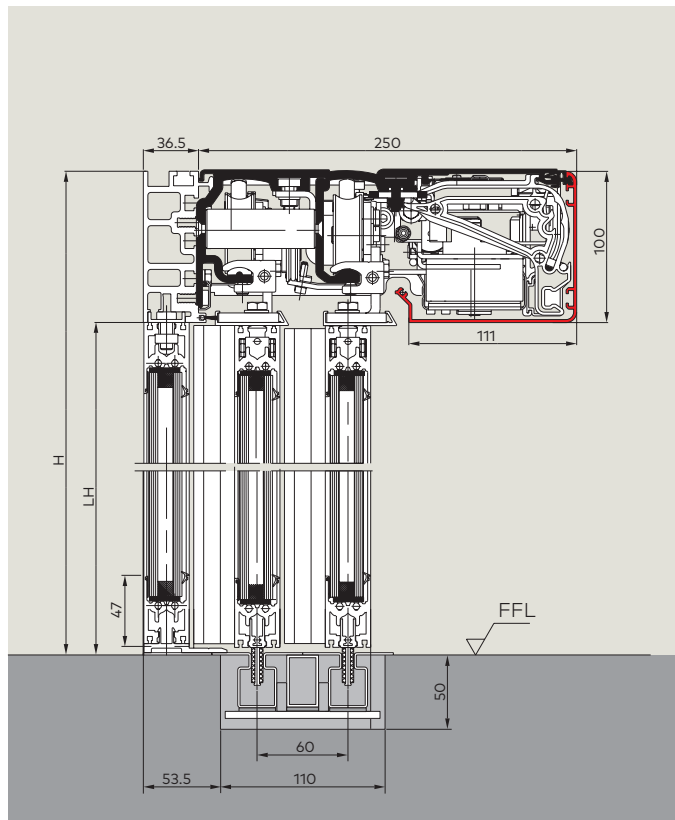
Clear passage height (LH)

Determination of clear passage height LH (mm) depending on the clear passage width LW (mm) and the glazing: see diagrams on pages 18/19

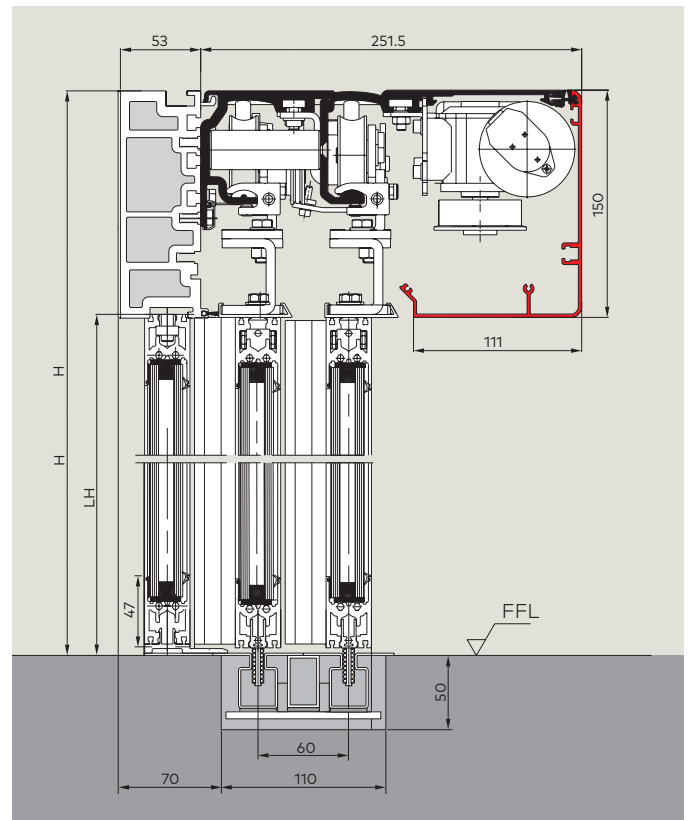
TST FLEX with fanlight



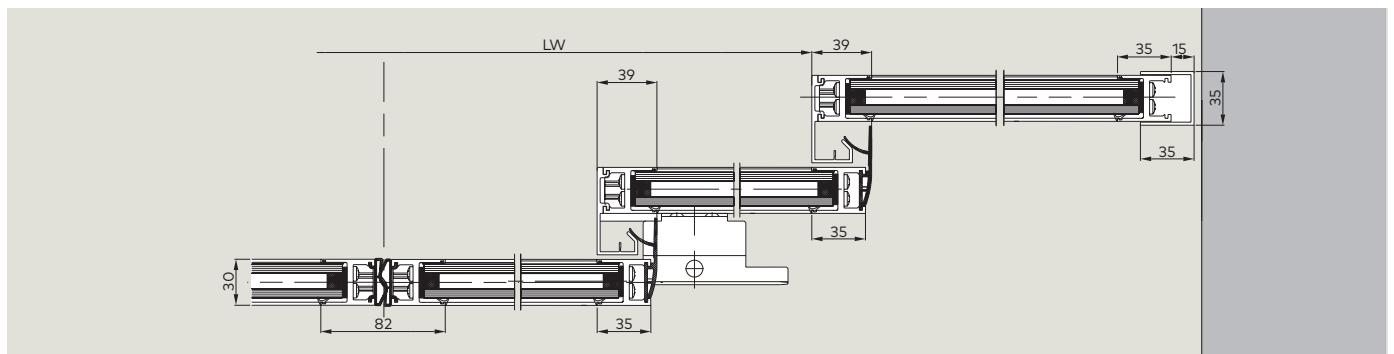
Corridor mounting with side screens, operator 100 mm



Corridor mounting with side screens, operator 150 mm



Horizontal section with side screen



Determination of door panel size

The diagrams show the dependence of the clear passage height (LH) on the clear passage width (LW).

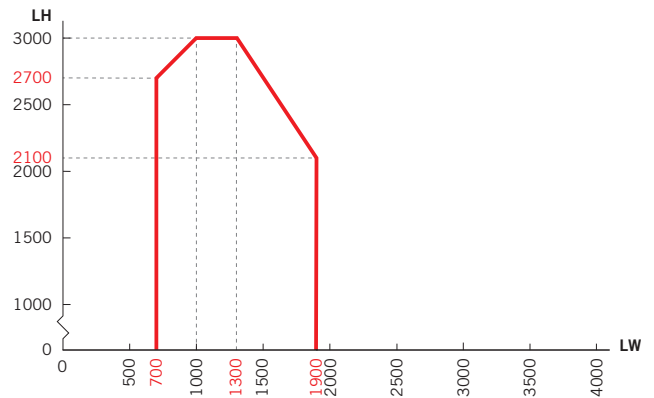
The maximum door-panel weight of the relevant operators must not be exceeded. We recommend smaller doors for areas with unfavourable wind conditions.

The charts refer to an average door panel weight of 25 kg/m². Higher clear passage heights (LH) on demand.

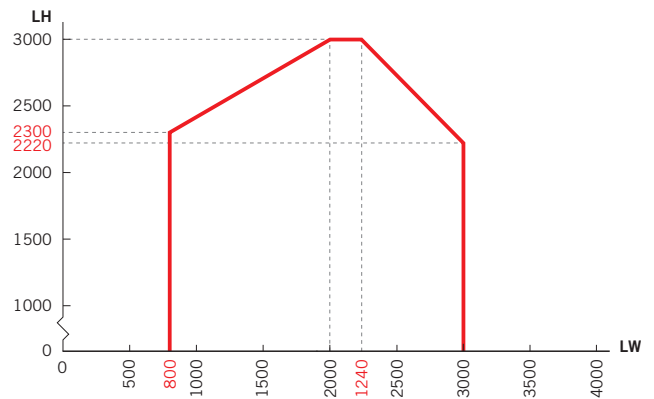
Please consider the limited opening dimensions on application of MANET and PURE single-point fixings:

Single-panel version max.	Clear passage width (LW)	1600 mm
	Clear passage height (LH)	2500 mm
Double-panel version max.	Clear passage width (LW)	2000 mm
	Clear passage height (LH)	2500 mm

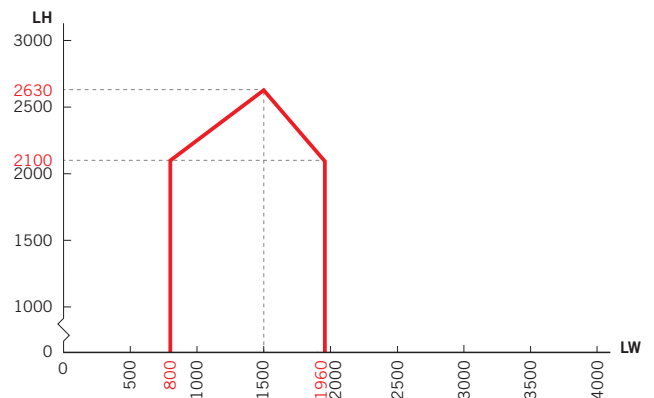
ST ES 200 Easy single-panel version



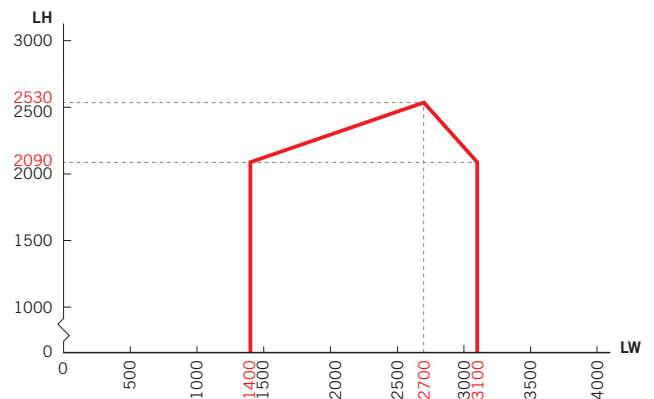
ST ES 200 Easy double-panel version



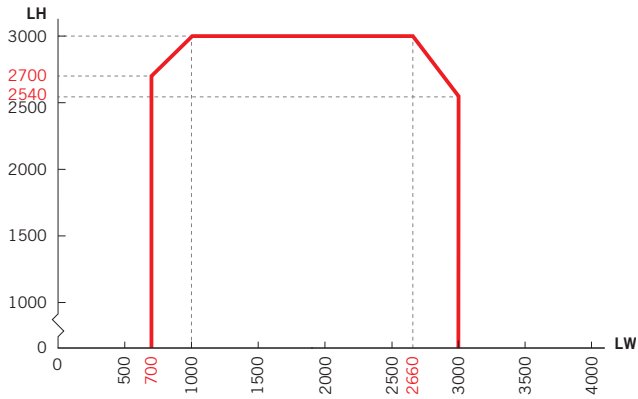
TST ES 200 Easy double-panel version



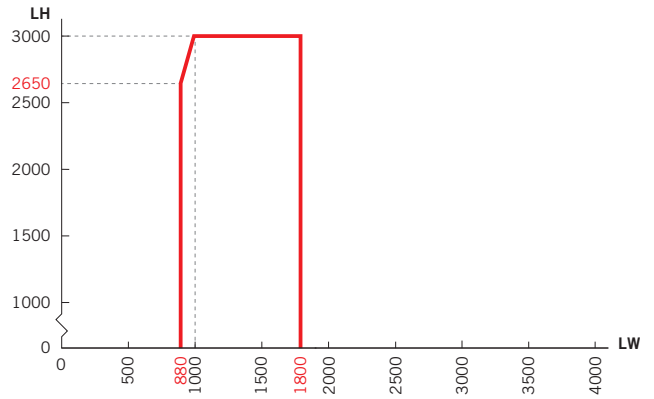
TST ES 200 Easy 4-panel version



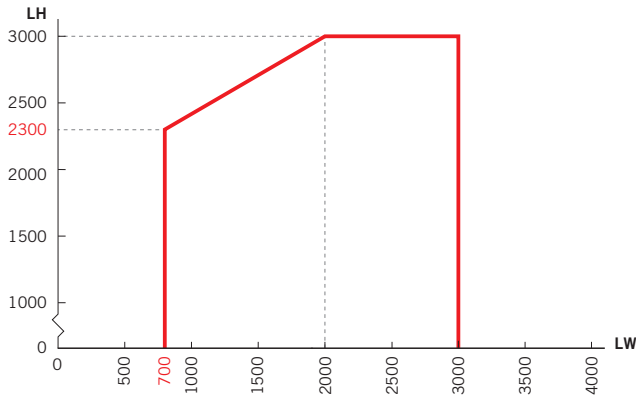
ST ES 200 single-panel version



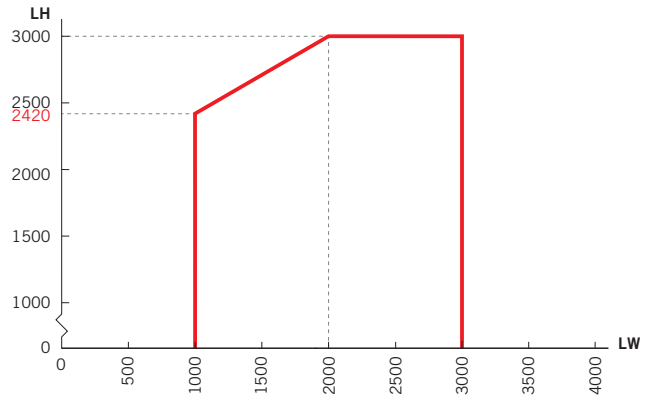
ST ES 200-2D single-panel version



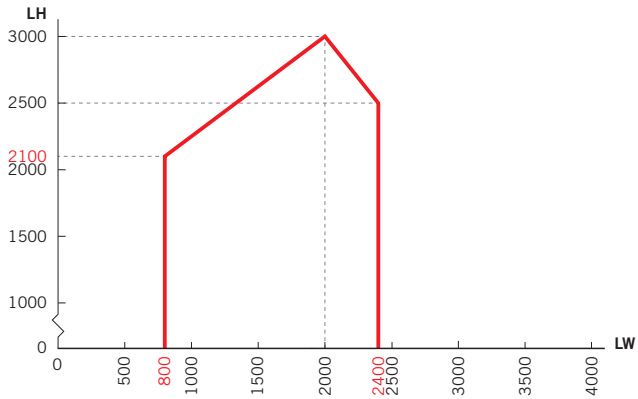
ST ES 200 double-panel version



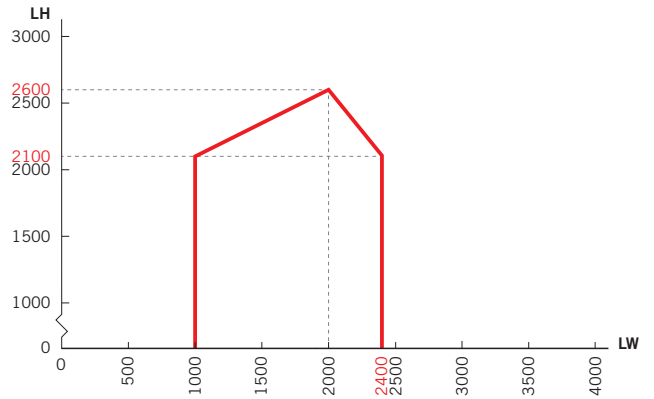
ST ES 200-2D double-panel version



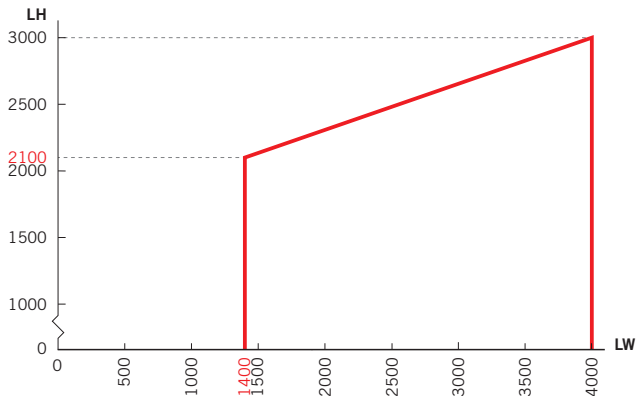
TST ES 200 double-panel version



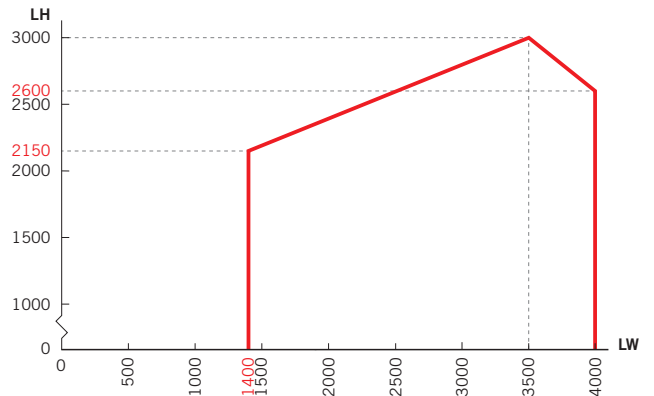
TST ES 200-2D double-panel version



TST ES 200 4-panel version



TST ES 200-2D 4-panel version









Program switches

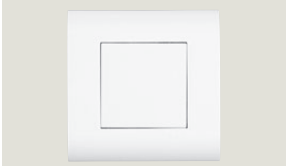
A program switch from dormakaba's broad range of accessories allows the automatic door system to meet individual requirements and provides easy handling. The program switches are available in various designs and suitable for all kinds of applications.

They offer various options, from a mechanical to a full-electronic version, alternatively also lockable via profile half-cylinder or in a full-electronic way via code.


Up to 5 different functions: Off, Automatic, Exit Only, Partial Open, Permanent Open Electronic program switches in System 55 design meet the highest aesthetical demands

For sliding door operators	Designation	Specification	Installation system	Order No.
	PG-S1	5-position, aluminium, white, flush-mounted version, 80 x 80 x 40 mm	Gira S-Color	19135401150
	PG-S2	5-position, lockable, aluminium, white, flush-mounted version, 80 x 80 x 40 mm	Gira S-Color	19135602150
	EPS-S	Full-electronic program switch in System 55 design, 5-position, lockable via code or additional TL-ST S55 key switch, aluminium-coloured membrane keypad, white, flush-mounted version, 80 x 80 mm	System 55	16556901150
For sliding door operators in emergency exits and escape routes (FST)	Designation	Specification	Installation system	Order No.
	PG-FST1	5-position, lockable, aluminium, white, flush-mounted version, 80 x 80 mm	Gira S-Color	19135603150
	PG-FST2	5-position, lockable via profile half-cylinder, aluminium, white, flush-mounted version, 105 x 80 x 65 mm, Box for surface-mounting: 19142201170	Deutsche Solenoid	19142001170
	EPS-FST	Full-electronic program switch in System 55 design, 5-position, lockable via code or additional TL-ST S55 key switch, aluminium-coloured membrane keypad, white, flush-mounted version, 80 x 80 mm	System 55	16556801150





Switches

Switch	Designation	Specification	Installation system	Order No.
	Proximity-type switch	"MAGIC SWITCH", proximity-type switch responds to movement, flush-mounted version, 80 x 80 mm		05076831332




Pushbuttons

Pushbutton	Designation	Specification	Installation system	Order No.
		Single-pole changeover contact, single-type frame, white, flush-mounted version	System 55	19144701170



Further pushbuttons are available in various versions. Please contact your sales manager for further information.

Key switches	Designation	Specification	Installation system	Order No.
	KT 3-1	1 NO contact with profile half-cylinder, may be replaced for any profile half-cylinder of a master key system, key only retractable in neutral position, aluminium, metal, 75 x 75 x 60 mm		
	KT 3-1 UP	Flush-mounted version		05054531332
	KT 3-1 AP	Surface-mounted version		05054631332
	KT 8	Lettering "Auf, Zu" (German for "Open/Closed"), 2 NO contacts, with profile half-cylinder, can be replaced for any profile half-cylinder of a master key system, key only retractable in neutral position, aluminium, metal, 75 x 75 x 60 mm		
	KT 8 UP	Flush-mounted version		05054831332
	KT 8 AP	Surface-mounted version		05054931332
	TL-ST S55	Switch with single-pole changeover contact, for profile half-cylinder by others to DIN 18252, locking cam centre 30 – 32.5 mm, overall length 40.5 – 43.5 mm, locking cam position left (90°), incl. cover for System 55, not suitable for box for surface-mounting, without profile half-cylinder, without frame		
	TL-ST S55 W	White	System 55	56330710
	TL-ST S55 S	Silver-coloured	System 55	56330701
	TL-ST S55 A	Anthracite	System 55	56330715
	KT 3-2	1 NO contact with profile half-cylinder, can be replaced for any profile half-cylinder of a master key system, key only retractable in neutral position, exchange cover, lettering "Ein/Aus" (German for "On/Off"), aluminium, flush-mounted version: 125 x 100 mm, surface-mounted version: 70 x 90 mm		05054731332




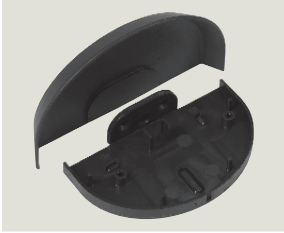

Emergency pushbuttons

Emergency pushbutton	Designation	Specification	Installation system	Order No.
	NAT	Designed to interrupt the automatic movement of the door, emergency pushbutton (function: Emergency Off) for automatic door operators, manufactured to ZH 1/494 or BGR 232 and DIN 18650 and EN 16005, red knob with yellow centre insert, max. load current: 10 A at 230 V AC		
	NAT 1	NO contact: 1, NC contact: 1, white frame, flush-mounted version, 80 x 80 mm	System 55	90400025
	NAT 2 no picture	Function "Emergency Opening", green knob, NO contact: 1, NC contact: 1, max. load current: 10 A at 230 V AC, white frame, flush-mounted version, 80 x 80 mm	System 55	90400035
	NAT 4	NO contact: 1, NC contact: 1, surface-mounted version, 68 x 68 mm		05027031332
	TL-N S55	Highly-illuminated emergency pushbutton environment with visual locking status indication, optical and acoustic alarm via yellow flashlight and integrated alarm siren, sabotage-proof, behind glass, without frame NO contact: 1, NC contact: 1, max. load current: 1 A at 24 V DC, flush-mounted version, 80 x 80 mm	System 55	56330500

Active infrared detectors and combined sensors

Safety sensors/Combined sensors	Designation	Specification	Colour	Order No.
	Prosecure Opti Scan	The active infrared curtain according EN 16005 safeguards the side of the door. It protects people from being hit by the door panel when the door opens.	black silver-coloured white	86301100 86302100 86303100
	Prosecure Opti Scan 1	The active infrared curtain according DIN 18650 and EN 16005 safeguards the side of the door. It protects people from being hit by the door panel when the door opens.	black silver-coloured white	86301101 86302101 86303101
	Prosecure Opti Combi	Quick and easy to install, wide field can be used to substitute the light barrier, LCD display, precise positioning of AIR curtain thanks to indication of inclination angle on a well-readable scale, direction recognition (DIN 18650 and EN 16005)	black silver-coloured white	86711400 86712400 86713400
	Prosecure Opti Combi 1	Very flexible field settings, self-monitoring active infrared curtain, cross traffic suppression, precise positioning of AIR curtain thanks to indication of inclination angle on a well-readable scale, direction recognition (DIN 18650 and EN 16005)	black silver-coloured white	86711401 86712401 86713401

Motion detectors

Motion detectors	Designation	Specification	Colour	Order No.
	Prosecure Easy Motion Mono	Full-automatic access on pulse activation; adjustable inclination angle, inclined field of view and field size, LED status indicator, not in accordance with EN 16005 and DIN 18650, ambient temperature -20 °C to 60 °C	black silver-coloured white	86001000 86002000 86003000
	Prosecure Easy Motion Stereo	Adjustable inclination angle, inclined field of view and field size, direction recognition, cross-traffic suppression, immunity, LED status indicator, not in accordance with EN 16005 and DIN 18650, ambient temperature -20 °C to 60 °C	black silver-coloured white	86011000 86012000 86013000
	Prosecure Opti Motion Mono	Adjustable inclination angle, inclined field of view and field size, direction recognition, immunity, LED status indicator, ambient temperature -20 °C to 60 °C	black silver-coloured white	86101000 86102000 86103000
	Prosecure Opti Motion Stereo	Adjustable inclination angle, inclined field of view and field size, direction recognition, cross-traffic suppression, Slow Motion function, immunity, LED status indicator, ambient temperature -20 °C to 60 °C	black silver-coloured white	86111000 86112000 86113000
Accessories	Designation	Specification		Order No.
	Rain protection cover	For Easy Motion detectors		86031900
	Rain protection cover/ceiling angle bracket	For Opti Motion detectors		86131900
	Prosecure Remote Control	Remote control for programming Prosecure Opti Motion detectors or products from other brands, for the convenient and exact adjustment of high-mounted sensors, self-explaining menu navigation, LCD display, ambient temperature -20 °C to 60 °C		86991900



www.dormakaba.com

dormakaba Deutschland GmbH
DORMA Platz 1
58256 ENNEPETAL
Germany
T: +49 2333 793-0
F: +49 2333 793-4950

WN 054 236 51532, 05/17, ST TST, EN x. XXX. xx/14
Subject to change without notice