

### GEZE Glass Fittings

#### Glass clamp fittings for GEZE floor springs

GEZE Glass Fittings are versatile clamp fittings for all-glass installations both inside and outside. They are characterised by their timeless and restrained design. In combination with GEZE TS 500 NV or TS 550 NV floor springs, they can be used for single-leaf and double-leaf connecting doors that can be passed through comfortably and are self-closing. The available clamping shims allow constant product dimensions irrespective of the 10 and 12 mm glass thicknesses used. The visible surfaces are available in satinised and polished stainless steel.

#### Area of application

- For internal and external installations
- For double-action doors
- For static all-glass installations
- For toughened safety glass
- For glass thicknesses of 10 and 12 mm
- Maximum door weight 100 kg



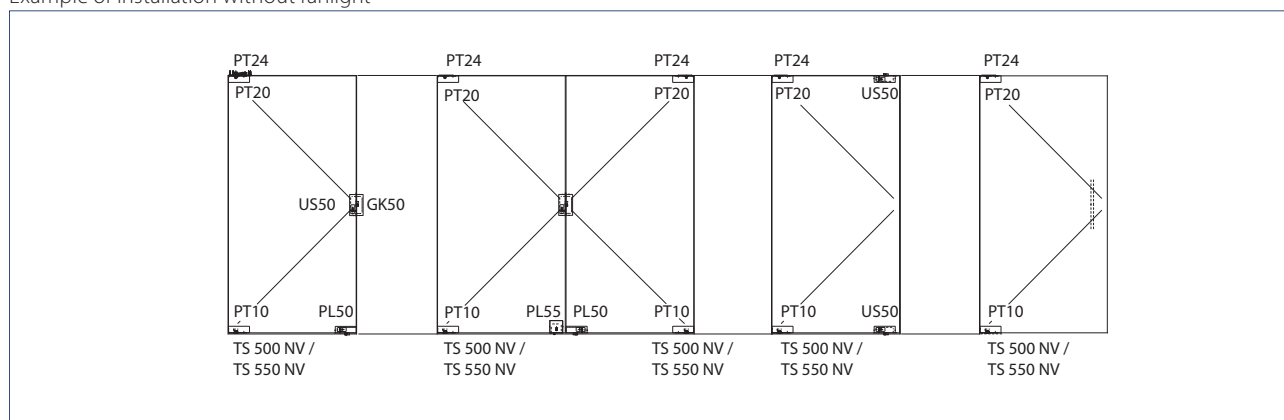
**Technical data Glass Fittings**

Product features	GEZE Glass Fittings
Design depth irrespective of thickness of glass	32 mm
Variable pivot point with double-action doors	53 and 63 mm
Tightening torques of the clamping screws	9 Nm
Burglar-resistant installation of the fitting / insert	●
Shims for glass thicknesses 10 and 12 mm	Supplied by GEZE
Door leaf height	Max. 2800 mm
Door leaf width	Max. 1000 mm
Door leaf weight	Max. 100 kg
Floor springs that can be used	With flat conical spindle - GEZE TS 500 NV / TS 550 NV
Locks prepared for profile cylinders	EURO-PZ 30/30 (included in patch lock packaging)

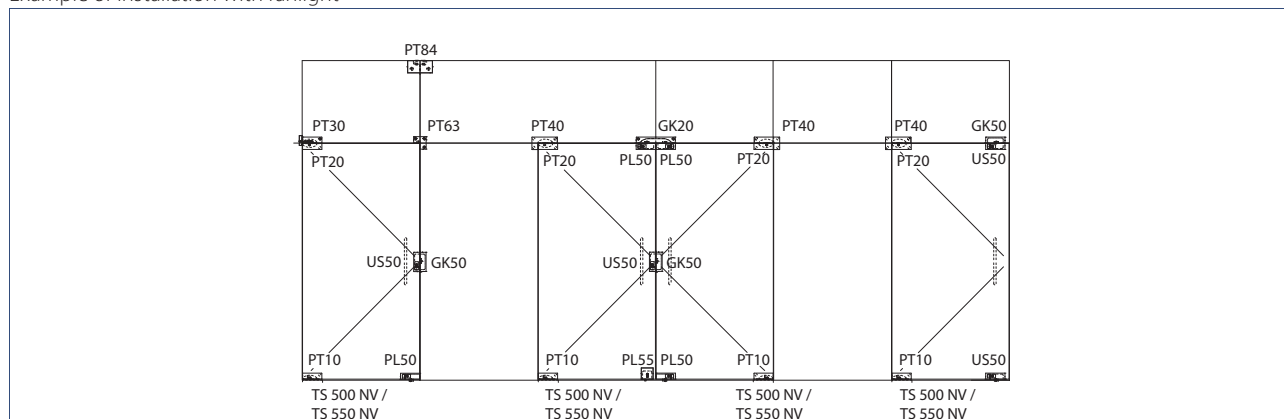
● = JA

**Standard installation**

Example of installation without fanlight

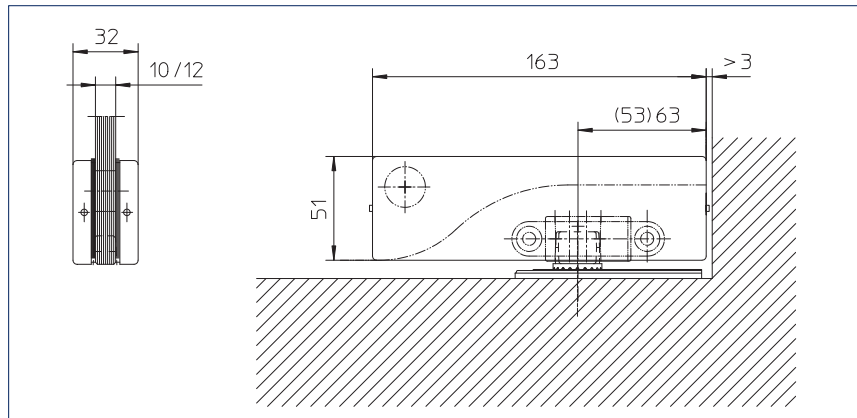


Example of installation with fanlight

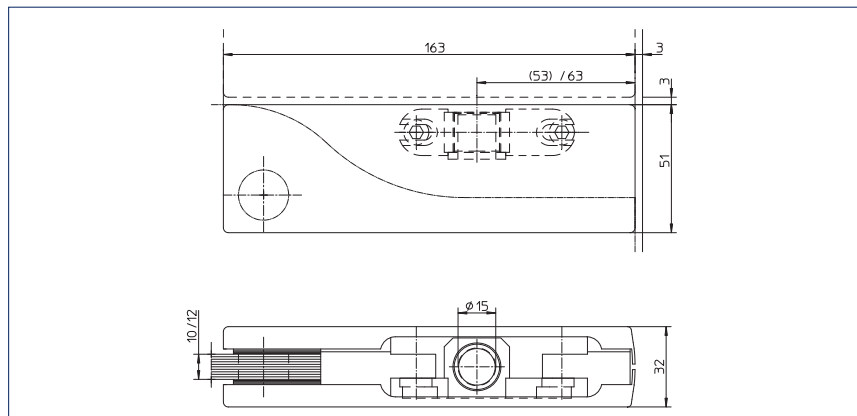


Corner fittings for glass door leaves and pivot bearings

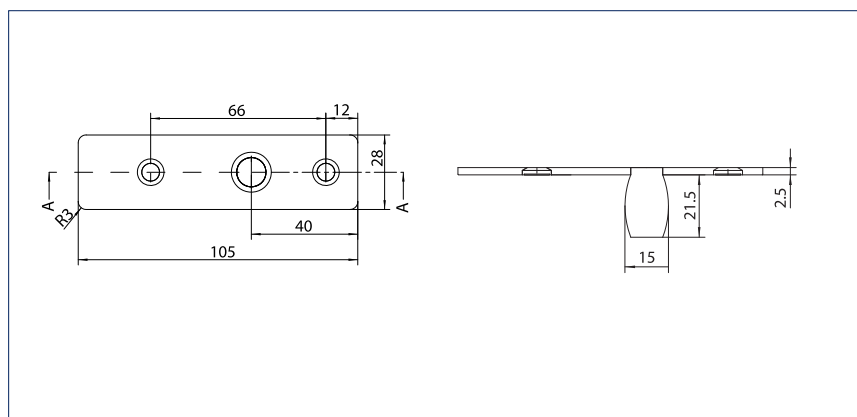
**GEZE Glass Fitting PT 10**



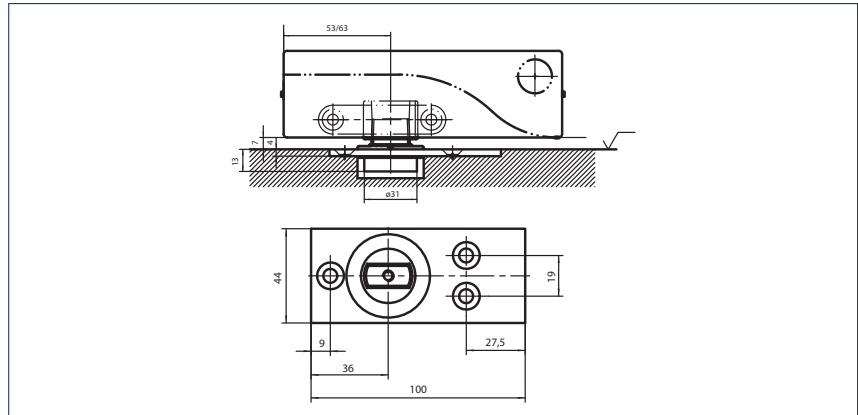
**GEZE Glass Fitting PT 20**



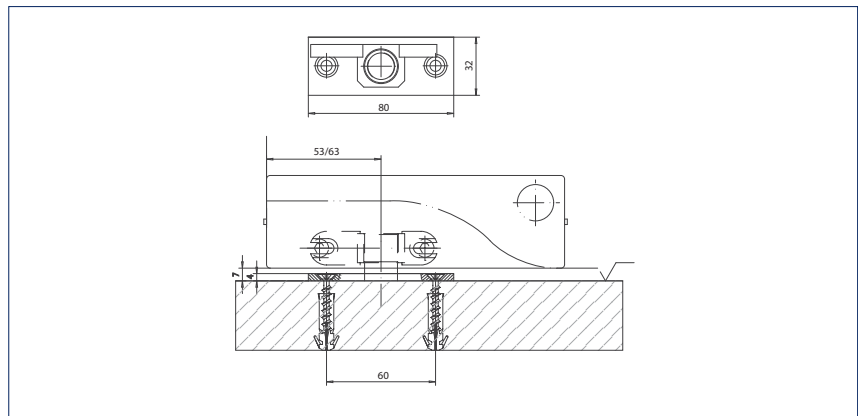
**GEZE Glass Fitting PT 24**



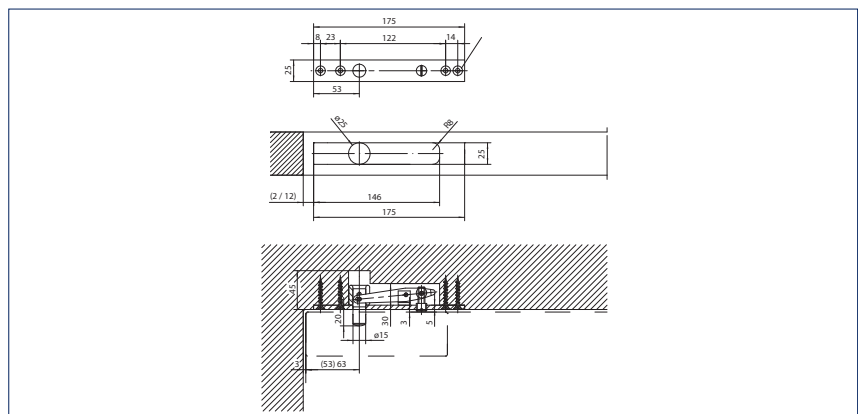
**GEZE DL-FL - Floor-mounted pivot bearing**



**GEZE DL-RD - Floor-mounted pivot bearing**



**PT 21 - Top pivot**



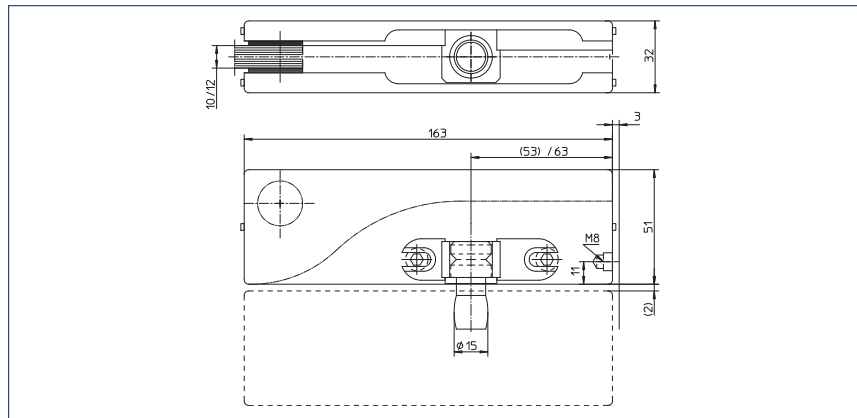
## GEZE GLASS FITTINGS

## Order information

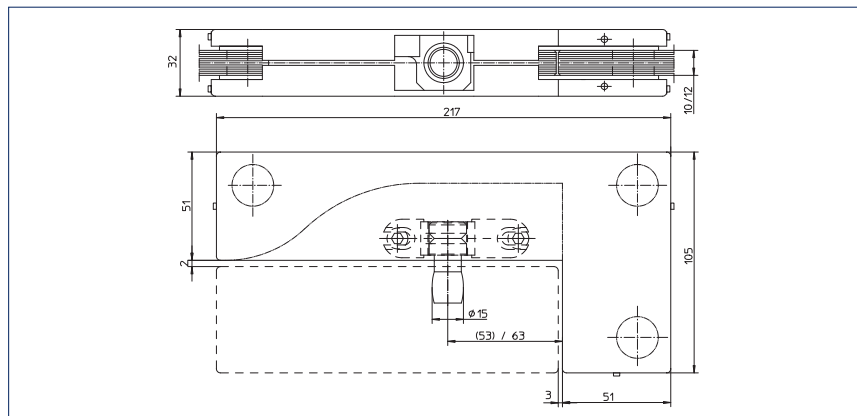
Description	Version	ID no.
GEZE Glass Fitting PT 10 Glass fitting bottom patch with pivot point for floor springs with mounting accessories for glass thickness 10 and 12mm	matt stainless steel	169752
	polished stainless steel	180438
GEZE Glass Fitting PT 20 Glass fitting top patch with pivot point for 15mm pin with mounting accessories for glass thickness 10 and 12mm	matt stainless steel	169763
	polished stainless steel	180439
GEZE Glass Fitting PT 24 Upper pivot with 15mm dia round bolt with mounting accessories	matt stainless steel	169774
	polished stainless steel	180489
GEZE DL-FL Floor-mounted pivot bearing with flat conical bolt (FL)	stainless steel	135393
GEZE DL-RD Floor-mounted pivot bearing with round bolt (RD)	stainless steel	135555
GEZE PT 21 Top pivot with pivot bearing bolt that can be screwed out	galvanised	010739
<b>Accessories</b>		
GEZE DL-FL cover plate Cover plate for countersunk installation of the GEZE DL-FL with 7 mm floor level clearance of the swing leaf	stainless steel	146396

Fanlight and connector fittings

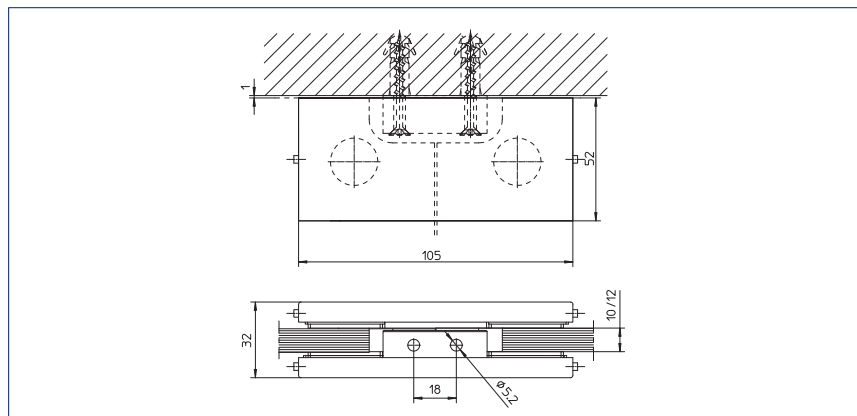
**GEZE Glass Fitting PT 30**



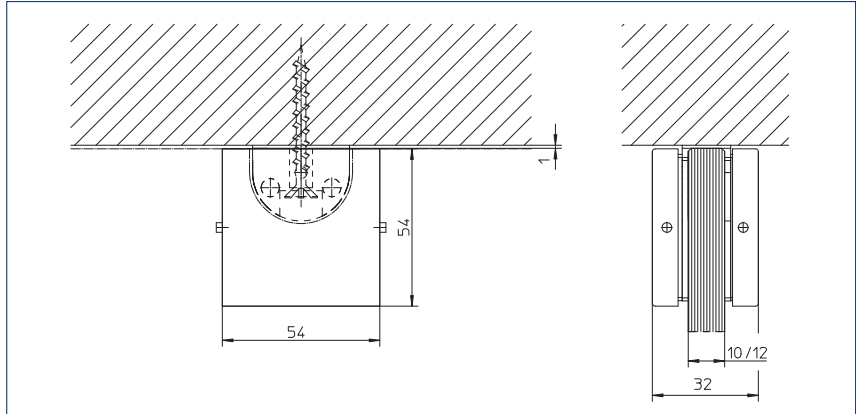
**GEZE Glass Fitting PT 40**



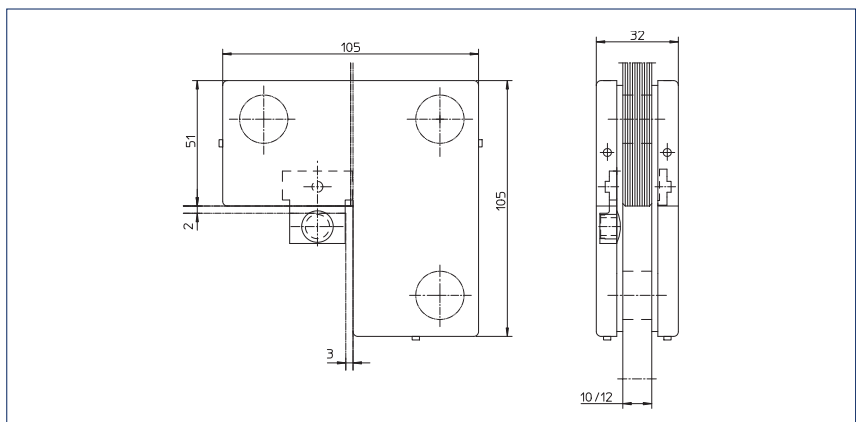
**GEZE Glass Fitting PT 84**



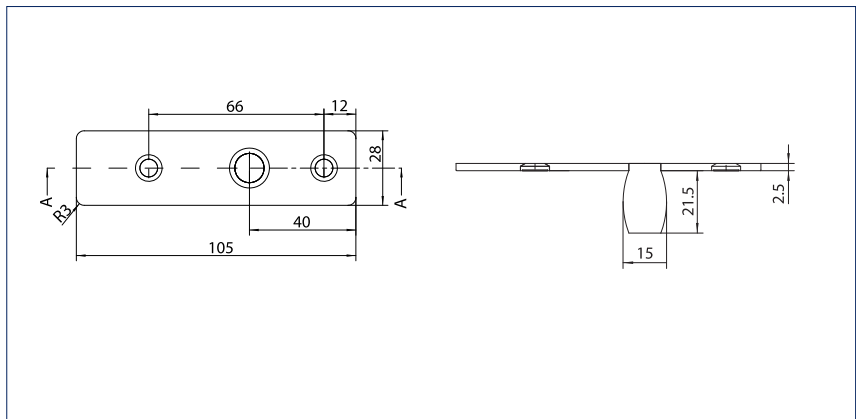
**GEZE Glass Fitting PT 90**



**GEZE Glass Fitting PT 63**



**GEZE Glass Fitting PT 24**



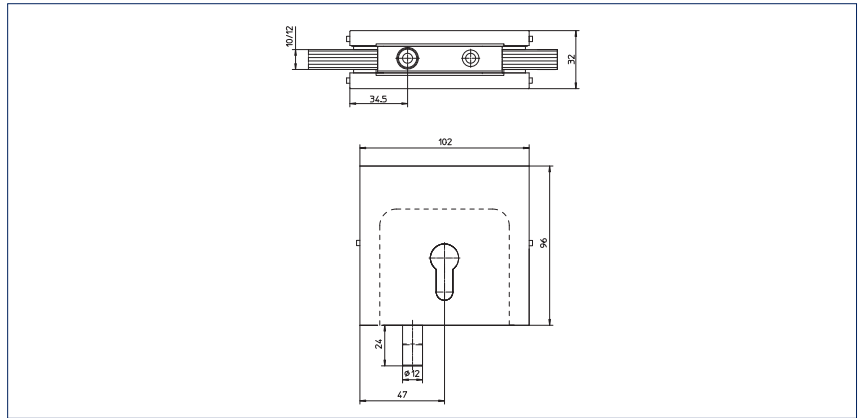
**Order information**

Description	Version	ID no.
GEZE Glass Fitting PT 30 Glass fitting fanlight patch with 15 mm pin and wall fixing accessories with mounting accessories for glass thickness 10 and 12mm	matt stainless steel	169764
	polished stainless steel	180440
GEZE Glass Fitting PT 40 Glass fitting patch for fanlight and side panel with 15mm pin with mounting accessories for glass thickness 10 and 12mm	matt stainless steel	169765
	polished stainless steel	180441
GEZE Glass Fitting PT 84 Connector patch glass-wall/glass-ceiling (twofold) with mounting accessories for glass thickness 10 and 12mm	matt stainless steel	169766
	polished stainless steel	180482
GEZE Glass Fitting PT 90 Connector patch glass-wall/glass-ceiling (simplex) with mounting accessories for glass thickness 10 and 12mm	matt stainless steel	169767
	polished stainless steel	180483
GEZE Glass Fitting PT 63 Connector patch for fanlight and side panel, with stop for single action doors with mounting accessories for glass thickness 10 and 12mm	matt stainless steel	169768
	polished stainless steel	180484
GEZE Glass Fitting PT 24 Upper pivot with 15mm dia round bolt with mounting accessories	matt stainless steel	169774
	polished stainless steel	180489
<b>Accessories</b>		
GEZE IS-BS Door stop insert for GEZE PT 30 / 40	black	135105
	EV1	135350
GEZE IS-BLK Blind insert for GEZE PT 30 / 40	satin stainless steel	135349
	polished stainless steel	135106

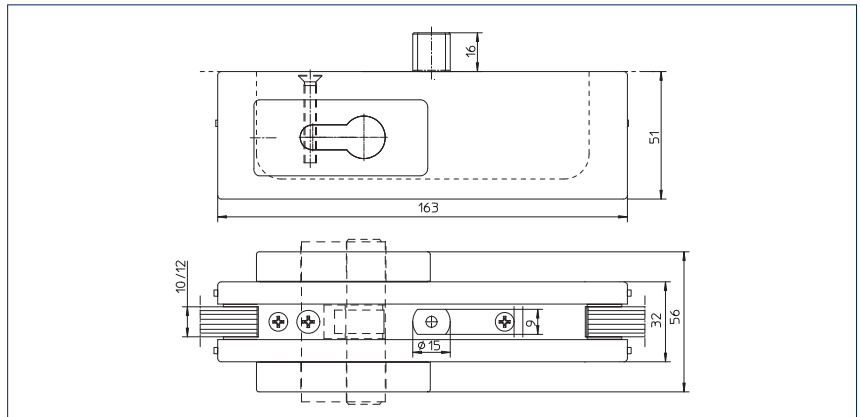


Patch locks and strike boxes

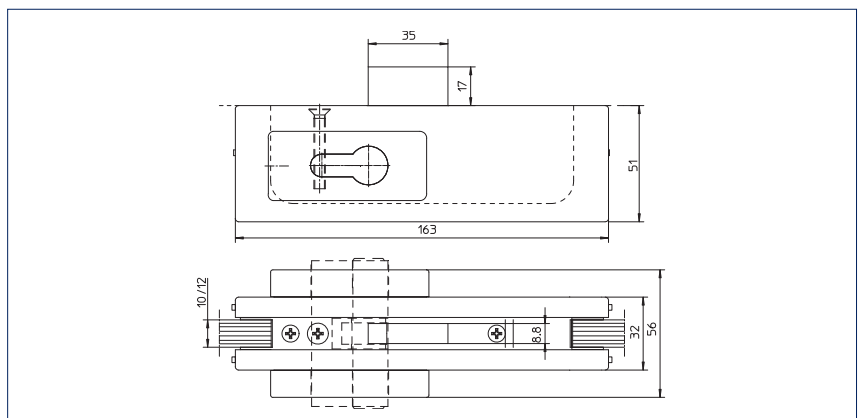
**GEZE Glass Fitting PL 55**



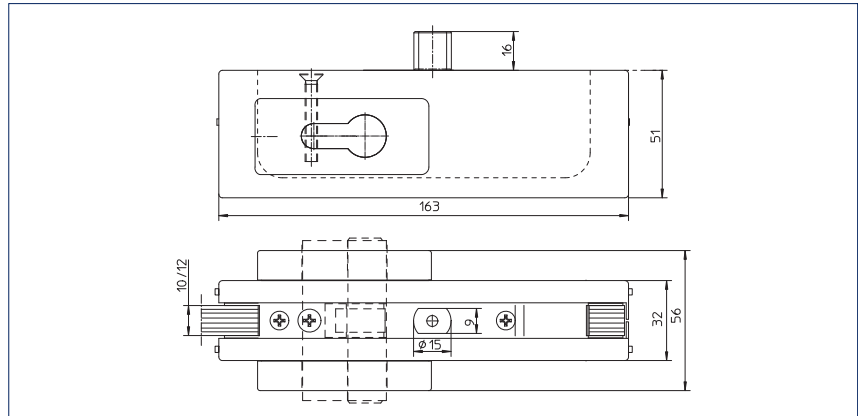
**GEZE Glass Fitting US 50 RD**



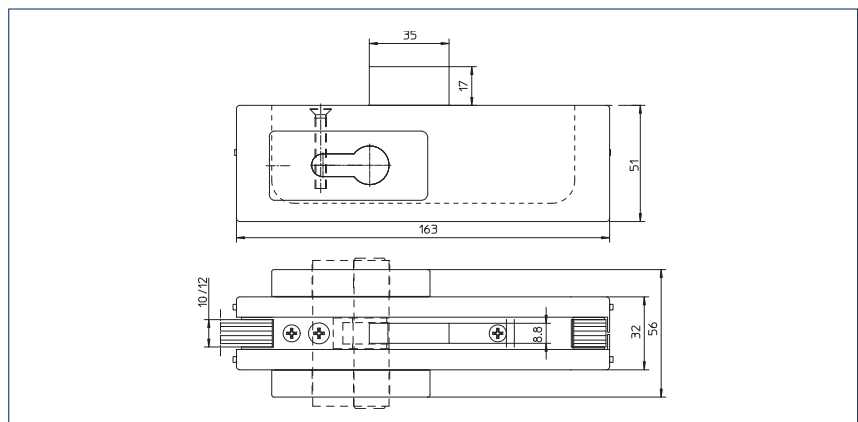
**GEZE Glass Fitting US 50**



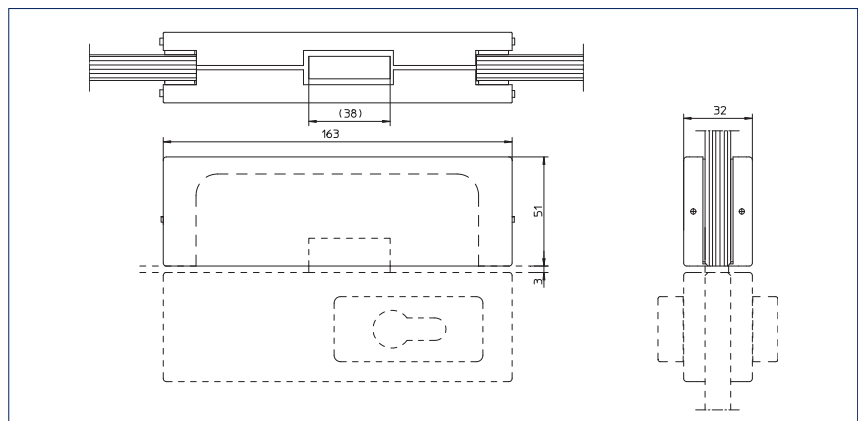
**GEZE Glass Fitting PL 50 RD**



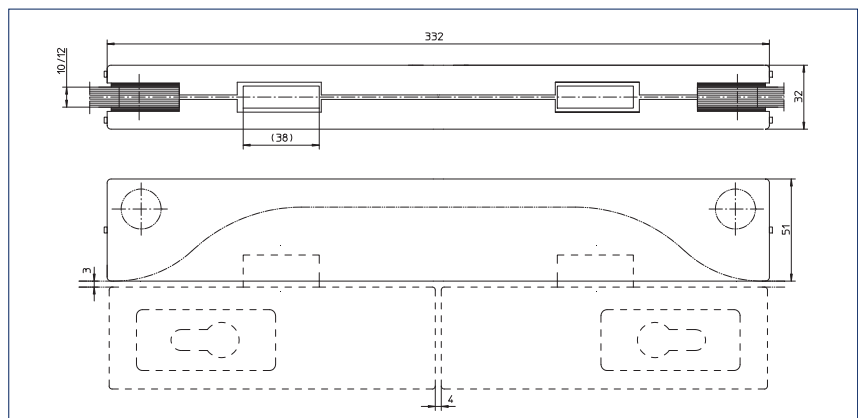
**GEZE Glass Fitting PL 50**



**GEZE Glass Fitting GK 50**



**GEZE Glass Fitting GK 20**



## GEZE GLASS FITTINGS

## Order information

Description	Version	ID no.
GEZE Glass Fitting PL 55 Bottom lock with round bolt with mounting accessories for glass thickness 10 and 12mm, with profile cylinder and strike plate	matt stainless steel polished stainless steel	169769 180485
GEZE Glass Fitting US 50 RD Center patch lock with round bolt with mounting accessories for glass thickness 10 and 12mm, with profile cylinder and strike plate	matt stainless steel polished stainless steel	169770 180486
GEZE Glass Fitting US 50 Center patch lock with square bolt with mounting accessories for glass thickness 10 and 12mm, with profile cylinder and strike plate	matt stainless steel polished stainless steel	169776 180491
GEZE Glass Fitting PL 50 RD Corner patch lock with round bolt with mounting accessories for glass thickness 10 and 12mm, with profile cylinder and strike plate	matt stainless steel polished stainless steel	169775 180490
GEZE Glass Fitting PL 50 Center patch lock with square bolt with mounting accessories for glass thickness 10 and 12mm, with profile cylinder and strike plate	matt stainless steel polished stainless steel	169777 180492
GEZE Glass Fitting GK 50 Single strike box for center patch lock with mounting accessories for glass thickness 10 and 12mm	matt stainless steel polished stainless steel	169772 180488
GEZE Glass Fitting GK 20 Double fanlight strike box for two corner patch locks with mounting accessories for glass thickness 10 and 12mm	matt stainless steel polished stainless steel	169771 180487
<b>Accessories</b>		
GEZE Glass Fitting Round bolt strike Strike for patch locks with round bolts with mounting accessories	matt stainless steel polished stainless steel	169778 180493
GEZE Glass Fitting Square bolt strike Strike for patch locks with square bolts with mounting accessories	matt stainless steel polished stainless steel	169779 180494



Glass Trösch, Kempten, Germany (Photo: N. Grünwald)